

[× ,]

[Ω]

· :
/ -

· : -

· -

·

· :
· : -

Ω -

· : -

· -

, -

$$\cdot / \times , =$$

$$\cdot - \times ,$$

$$[/ - \times ,]$$

$$= \pi) \cdot \Omega - \times \quad \Omega$$

.(/

$$[- \times ,]$$

$$\cdot / \times -$$

$$[\times , () \quad \times , ()]$$

, -

./

$$[\cdot \Omega - \times ,]$$

$$\frac{1}{\Omega} \left(\frac{\partial \mathbf{v}}{\partial t} + \mathbf{v} \cdot \nabla \mathbf{v} \right) = -\nabla \phi$$

$$\left[\frac{\partial \mathbf{v}}{\partial t} + \mathbf{v} \cdot \nabla \mathbf{v} \right]$$

$$= -\nabla \phi - \frac{1}{\Omega} \nabla \times (\mathbf{v} \times \nabla \phi)$$

$$\left[\nabla \times \mathbf{v} \right]$$

$$= \nabla \times \left(\frac{1}{\Omega} \nabla \times (\mathbf{v} \times \nabla \phi) \right)$$

$$\left[\nabla \times \left(\frac{1}{\Omega} \nabla \times (\mathbf{v} \times \nabla \phi) \right) \right]$$

$$\frac{1}{\Omega} \nabla \times (\mathbf{v} \times \nabla \phi)$$

$$\left[\nabla \times \left(\frac{1}{\Omega} \nabla \times (\mathbf{v} \times \nabla \phi) \right) \right]$$

$$\left[\frac{\partial \mathbf{v}}{\partial t} + \mathbf{v} \cdot \nabla \mathbf{v} \right]$$

$$\left[\frac{\partial \mathbf{v}}{\partial t} + \mathbf{v} \cdot \nabla \mathbf{v} \right]$$

$$\left[\frac{\partial \mathbf{v}}{\partial t} + \mathbf{v} \cdot \nabla \mathbf{v} \right]$$

$\int_{\Omega} \dots$

$$[\dots \times, () / \dots \times, () / \dots, ()]$$

\dots

$$[() \dots,]$$

$$/ \dots \times$$

$$[(\Omega) \dots \times]$$

$$\Omega \dots \times,$$

$$/ \dots,$$

$$[/ \dots \times,]$$

$$\Omega \dots \times,$$

$$(/ \dots \times, =).$$

$$/ \dots \times,$$

[/ ,]

:

-

-

-

-

[() () ()]

.

:

:

Ω Ω Ω

-

-

-

[Ω () Ω ()]

-

.

Ω

-

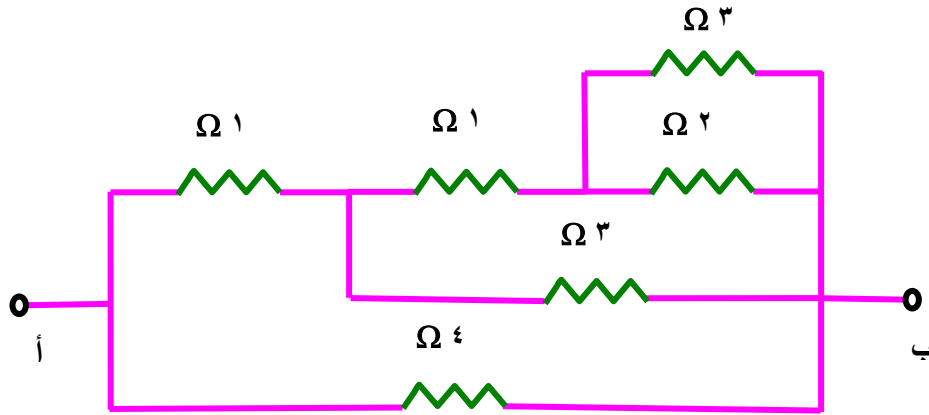
.

Ω ,

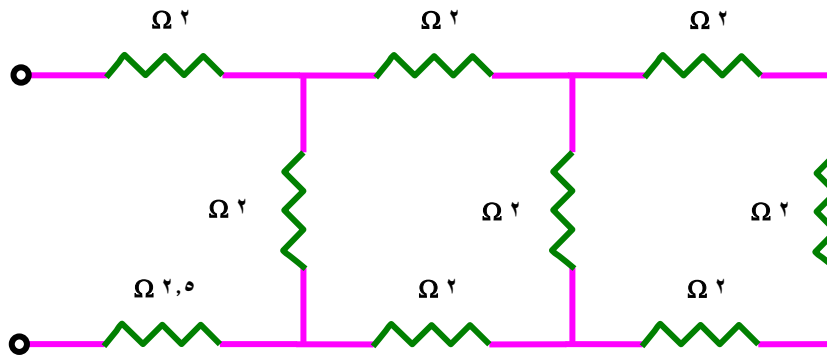
[Ω Ω]

.

-



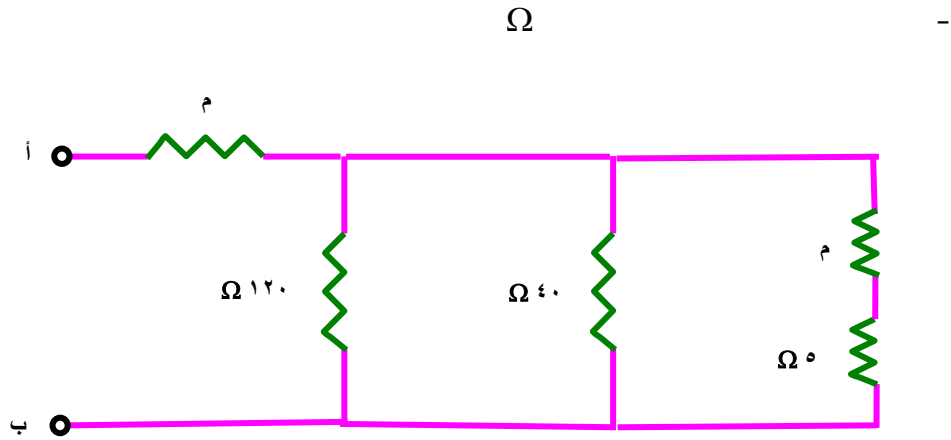
[Ω ,]



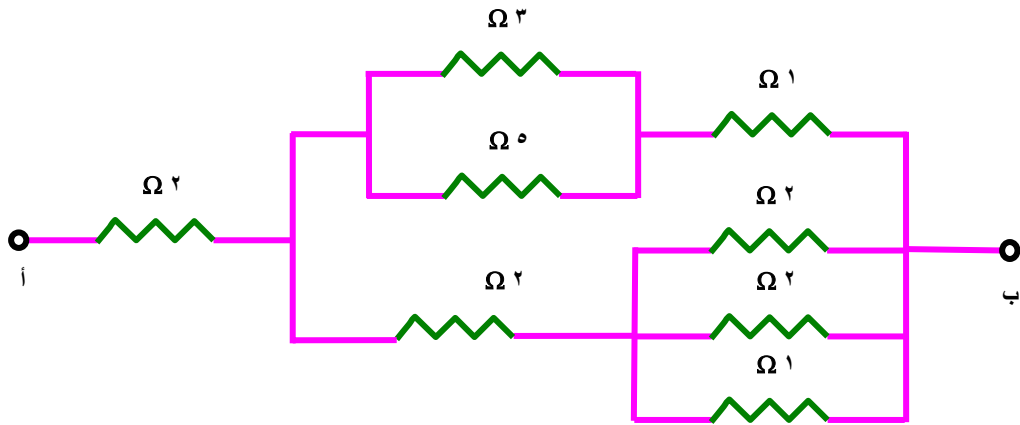
[Ω]

$\Omega \quad \Omega \quad \Omega$

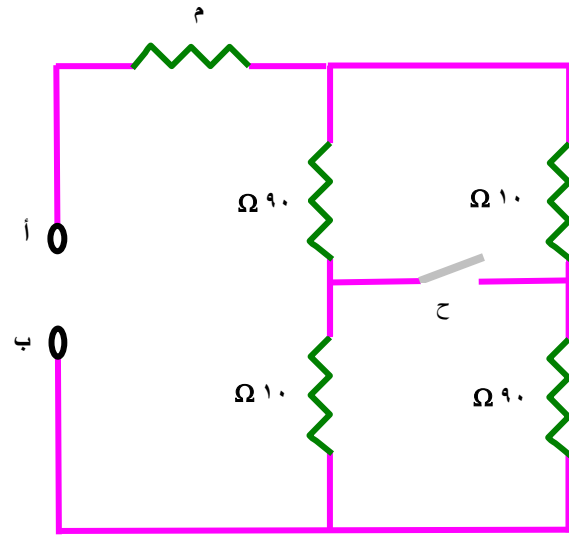
Ω Ω Ω Ω



[Ω]



[Ω ,]



[Ω]

Ω

-

Ω

[Ω Ω]

) Ω

Ω

-

.(

.

:

,

Ω

-

[Ω ,]

Ω

-

[Ω]

Ω

-

: . ,

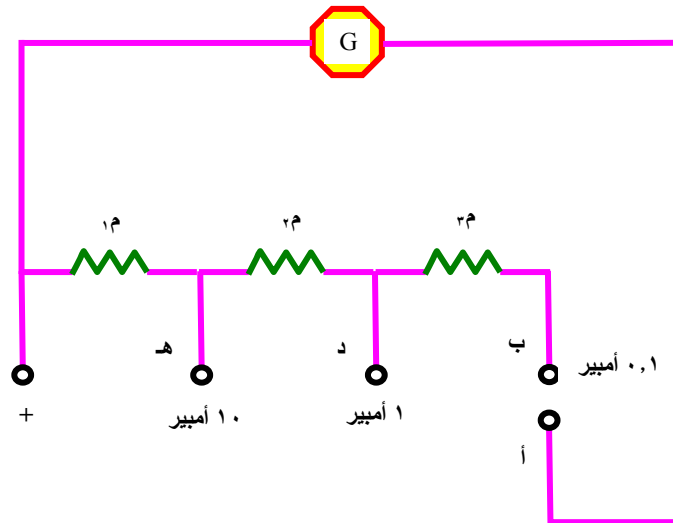
-

-

[Ω () Ω , ()]

Ω

-



[Ω , = , = Ω , =]

Ω

-

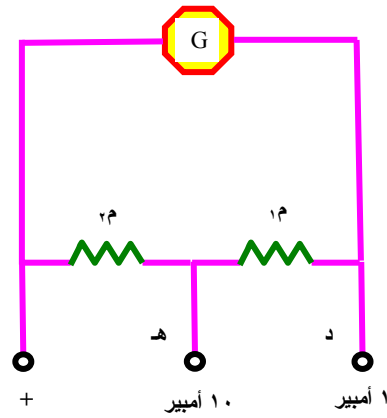
:

-

-

[Ω () Ω , ()]

Ω -



[Ω , = Ω , =]

Ω -

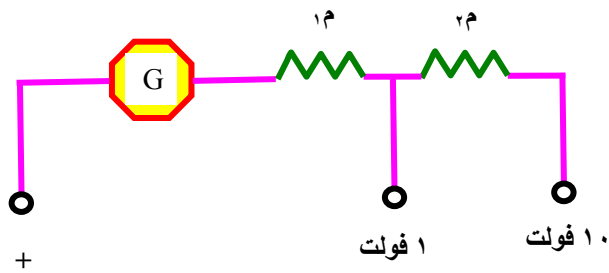
:

[Ω , () Ω ()]

Ω -

[Ω]

Ω -



[Ω = () Ω =]

، Ω -

:

[Ω () Ω ,]

Ω -

:

[Ω () Ω ,]

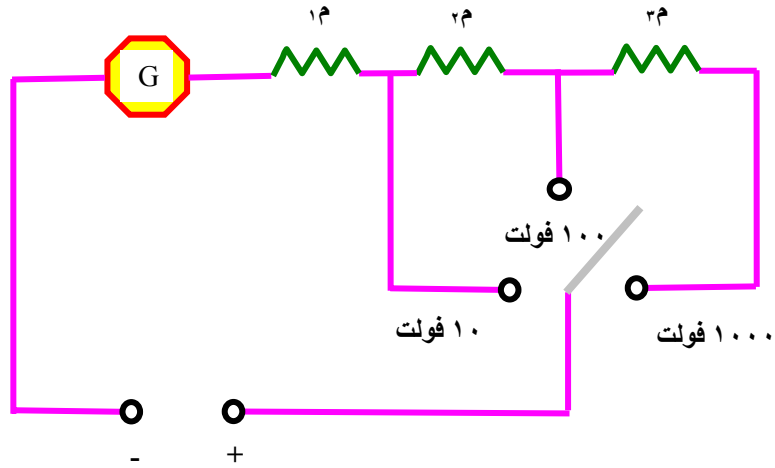
. Ω , -

[Ω ,]

. Ω , -

[Ω]

Ω



[$\Omega = \Omega = \Omega =$]

Ω

[$\Omega ,$]

[$\Omega ,$]

Ω

$$\begin{aligned}
 & \quad (-) \quad (-) \\
 & [\Omega = \Omega =] \\
 & \quad \quad \quad \Omega
 \end{aligned}$$

-

-

$$[\Omega]$$

, -

.Ω

()

$$(-) \quad (-)$$

()

$$[\Omega , \Omega ,]$$

: +

Ω

-

$$[]$$

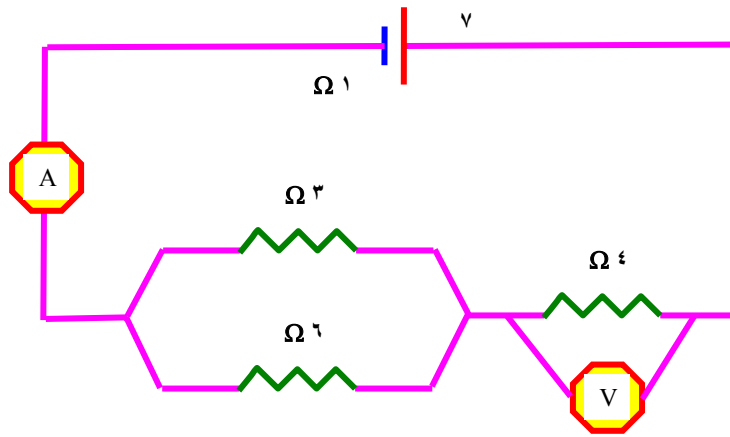
-

.Ω ,

:

()

[Ω , () Ω / , () Ω , ()]



[]

() ()

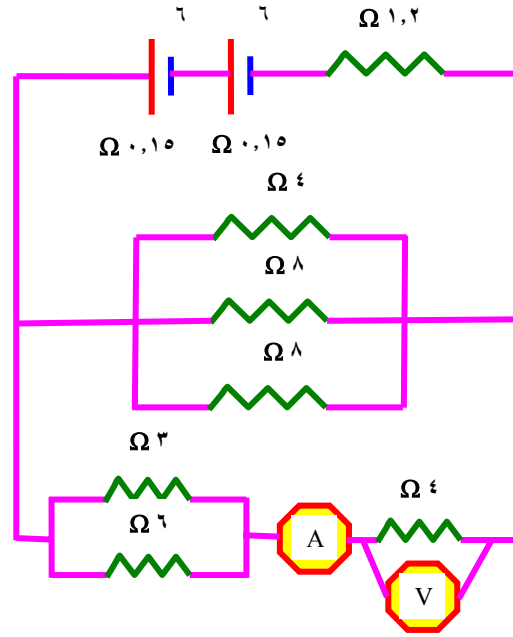
[, = , =]

Ω ,

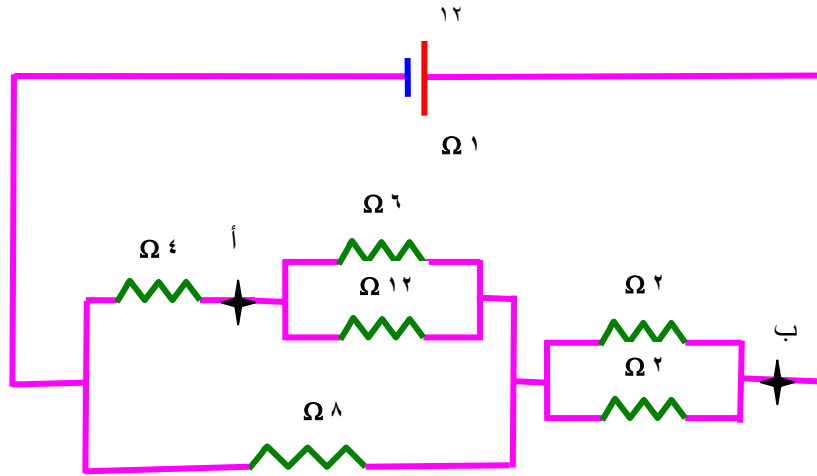
[= , = Ω , =]

()

()



[() Ω , ()]



- () / = / = = = = () ()]

[

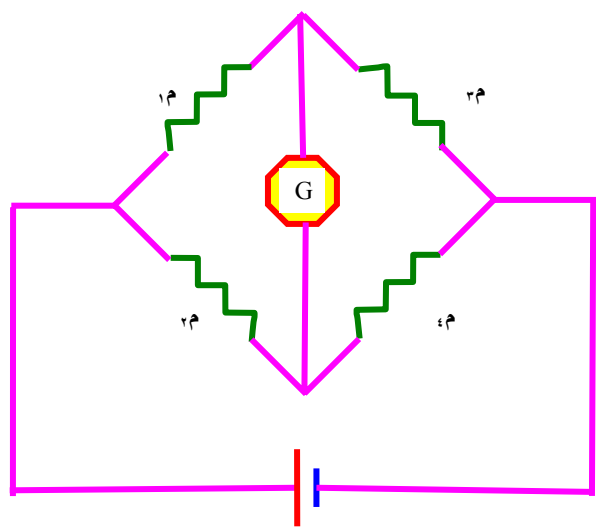
Ω ,

: Ω

[() () ()]

:

$\Omega = \Omega = \Omega =$



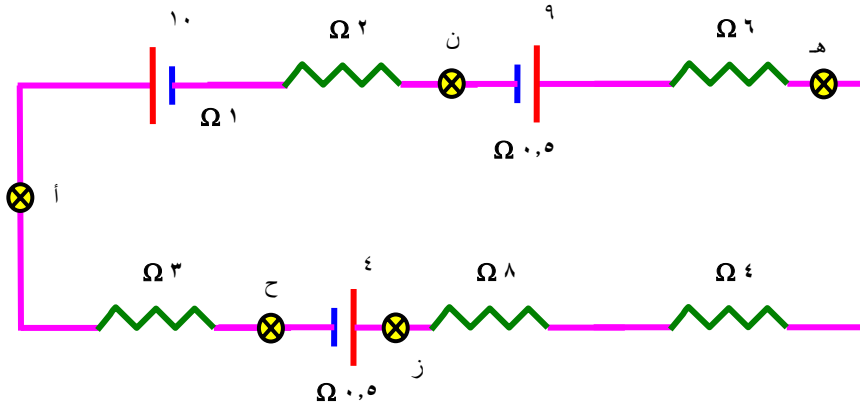
[Ω]

: Ω -

[, () Ω , ()]

[Ω]

: -
-
-
-



[, - () , - () , - ()]

: -

-

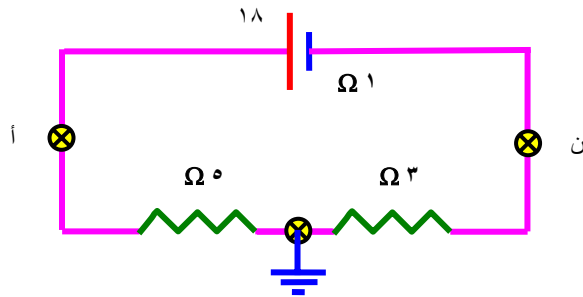
, =

-

Ω

-

() =



[() Ω () ()]

Ω

-

Ω

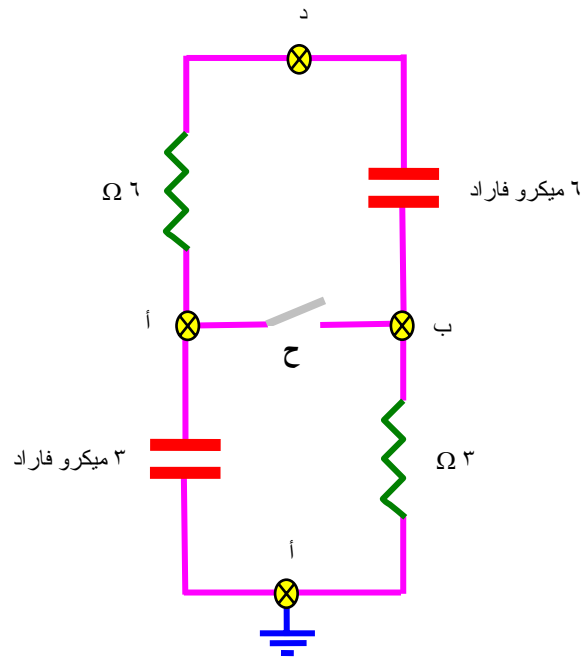
[]

[,]

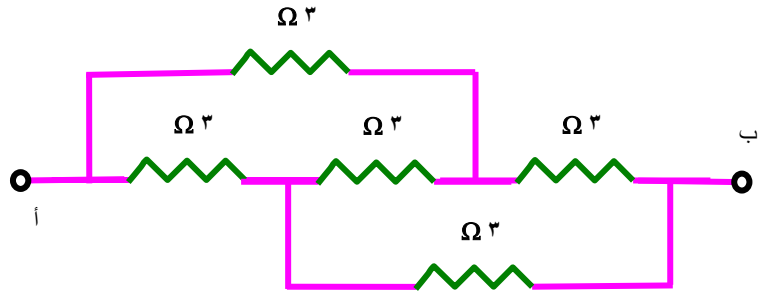
: = = :

()

()



[= Δ () () () ()]

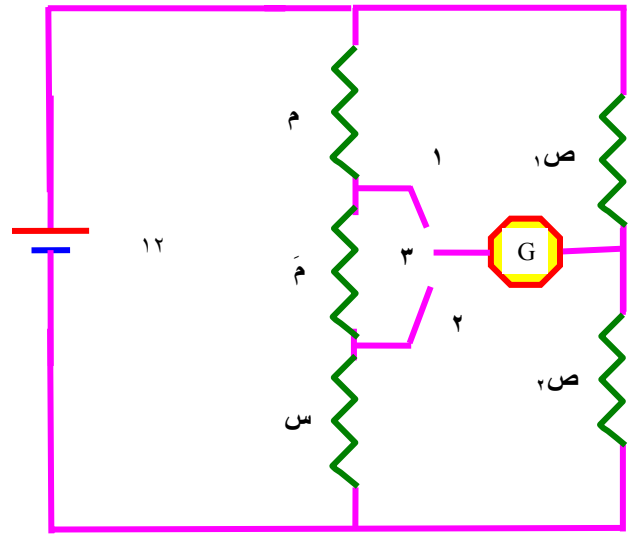


[Ω]

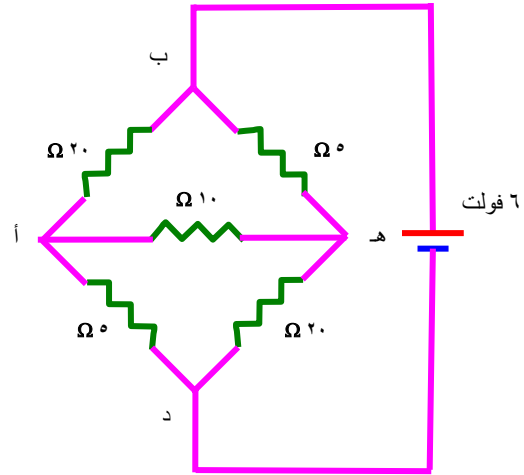
$$\Omega = \Omega =$$

$$\Omega =$$

$$\Omega , =$$



[$\Omega^{-1} \times , \Omega ,$]



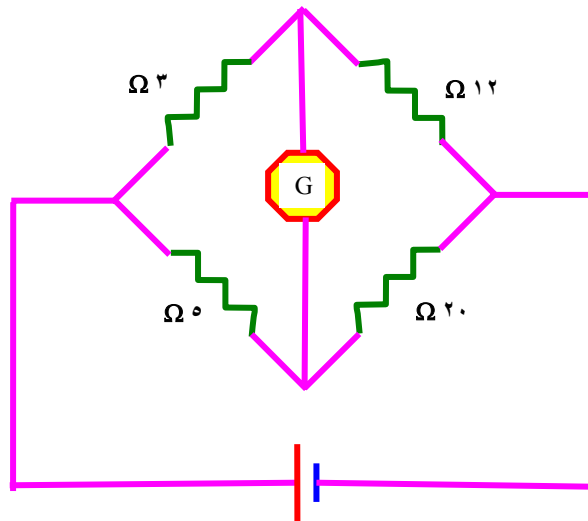
[, () , ()]

Ω

-

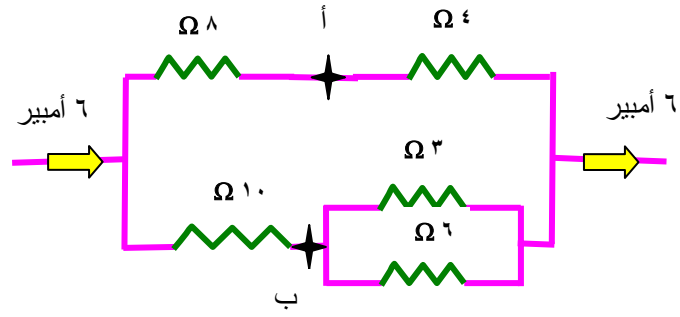
Ω

Ω



[Ω]

-

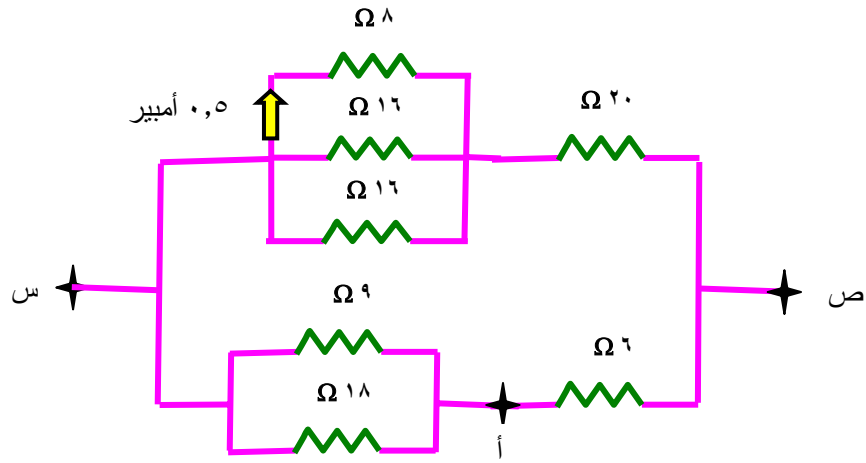


[]

: -

.() -

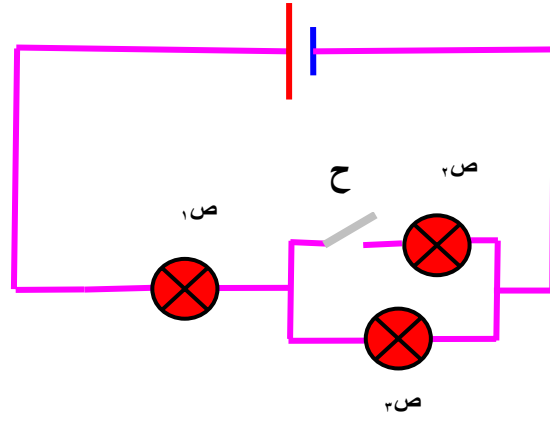
. Ω -



[() ()]

.

!



:

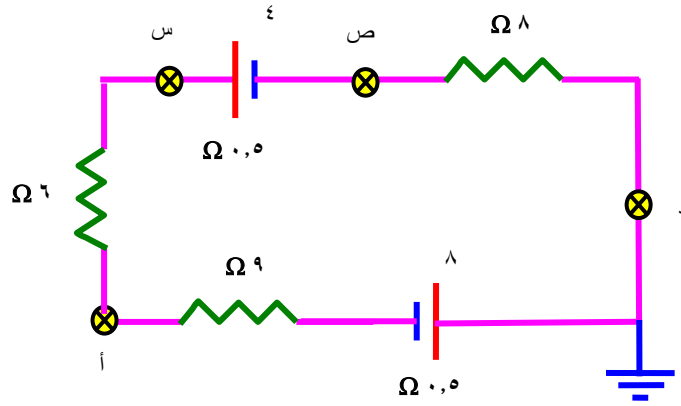
-

-

-

-

Ω



[, () , () , - ()]

:

-

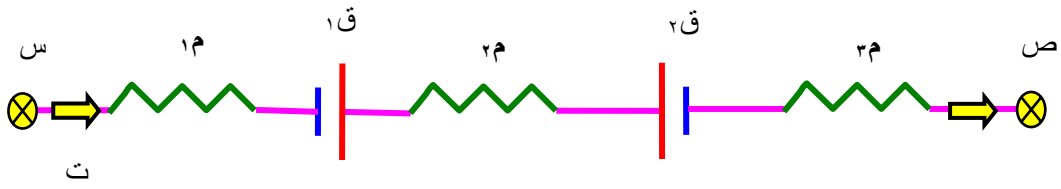
() () -

.

[, = , =]

:

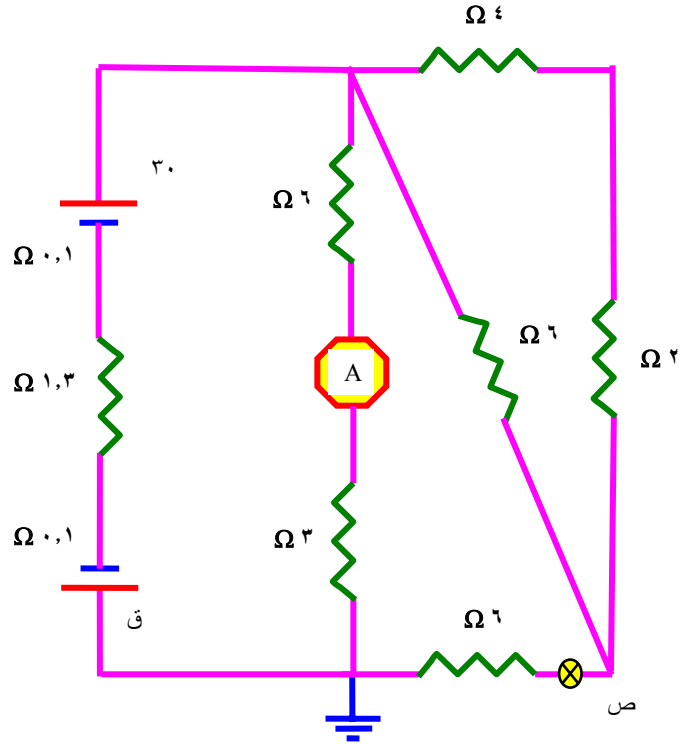
(-) - () =



:

=

. Ω



[() () ()]

:

-

.

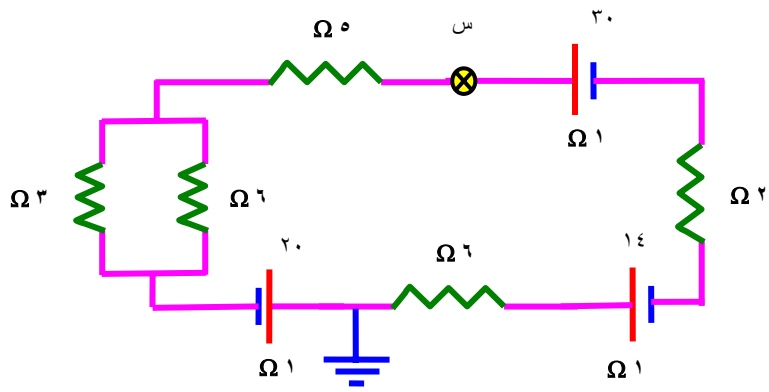
-

. Ω

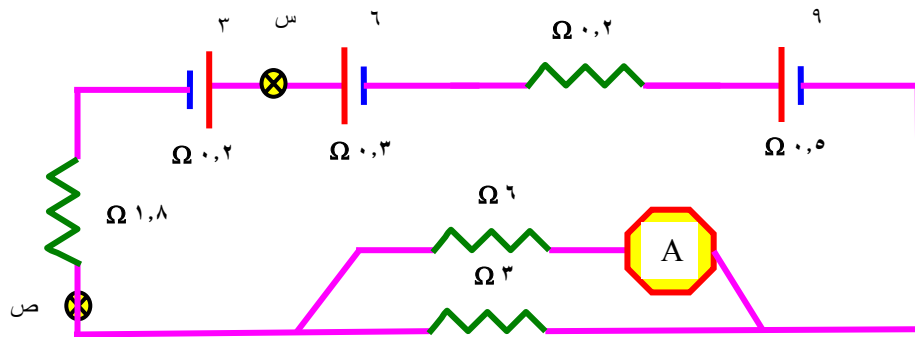
-

. ()

-



[- () () ()]

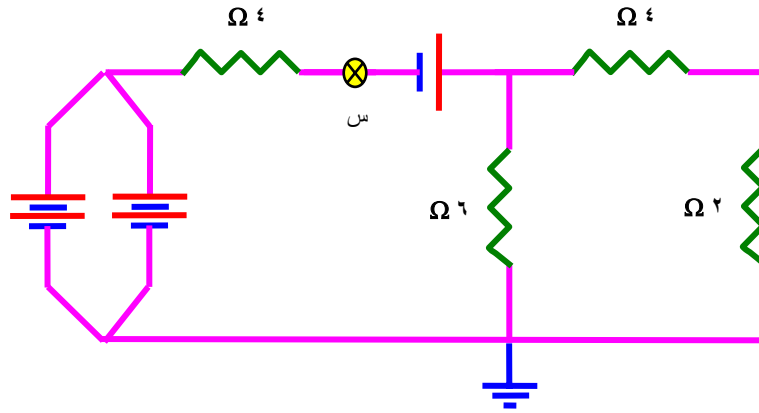


[, () , ()]

[$\Omega^{-} \times () () , ()]$

: Ω

Ω



[() , - () , ()]

-

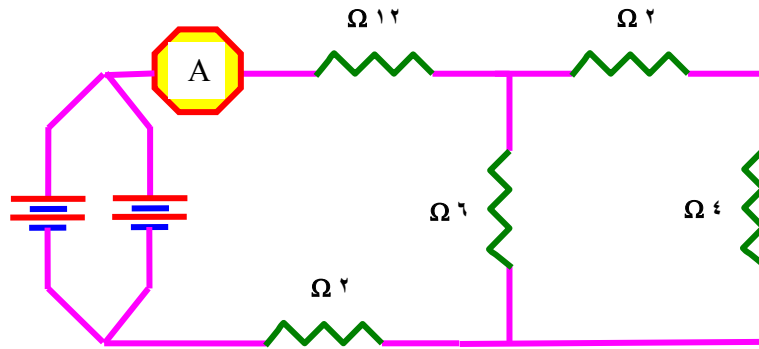
:

-

-

-

.Ω



[() Ω () Ω ()]

:

,

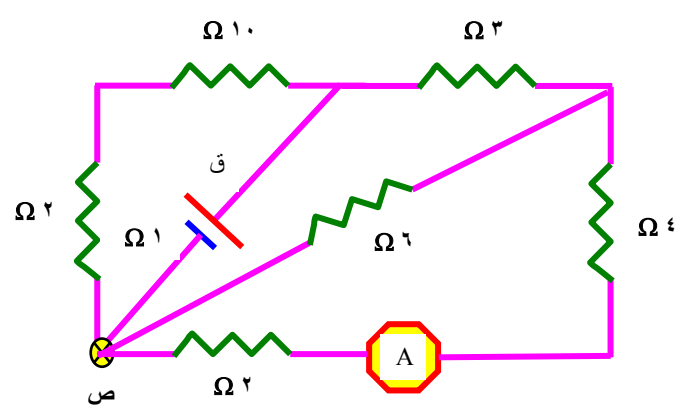
-

-

-

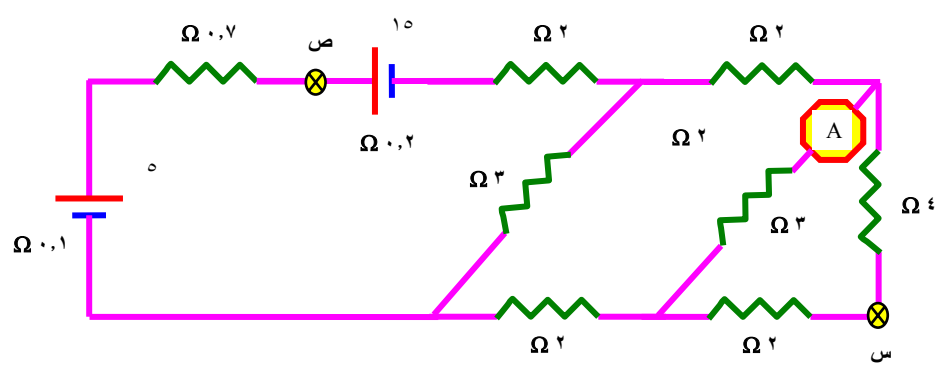
: = -

.Ω



[() () ()]

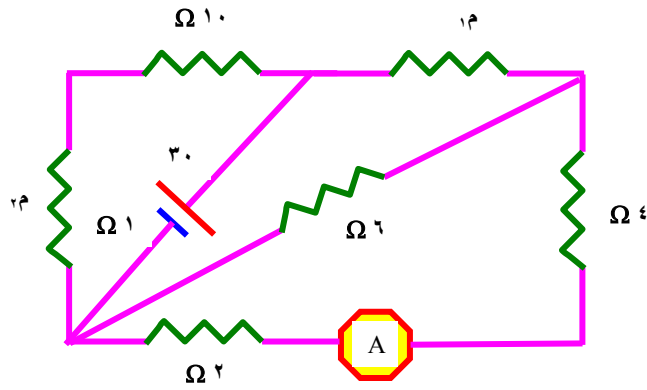
: -



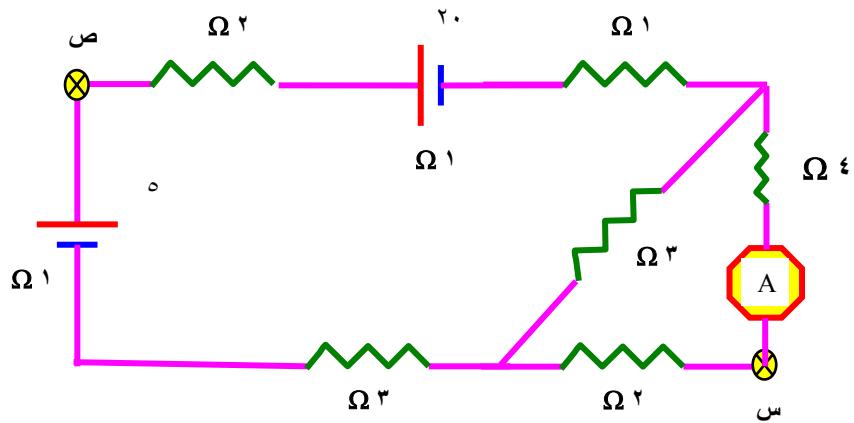
[, ≅ () / ()]

: ()

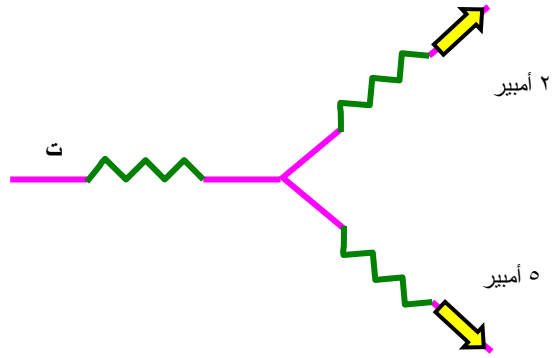
[, () Ω ()]



[$\Omega = \Omega =$]

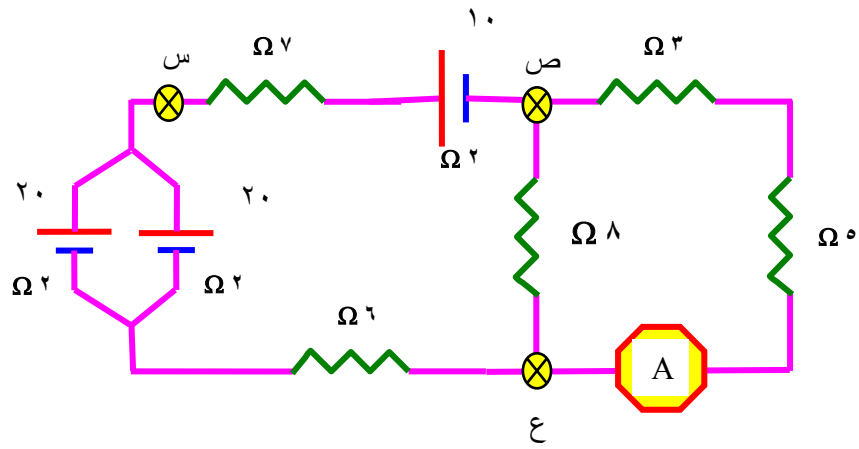


[= () , ()]



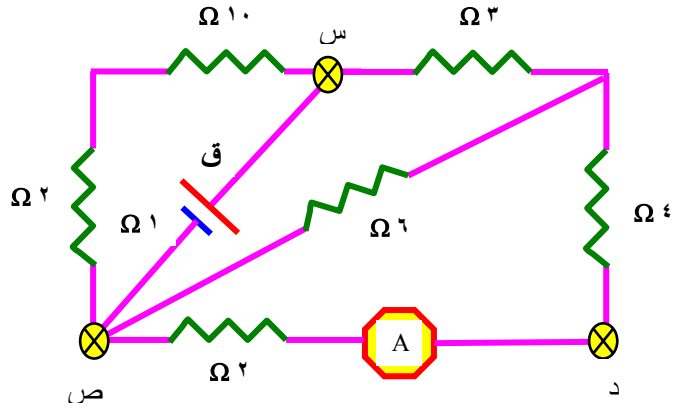
[]

:



[, () , () ()]

:

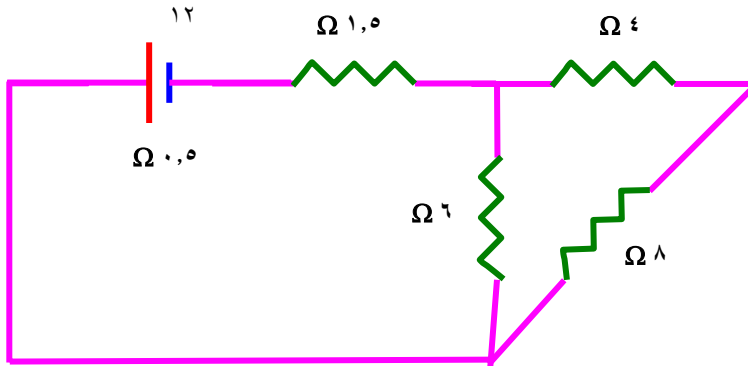


[() () ()]

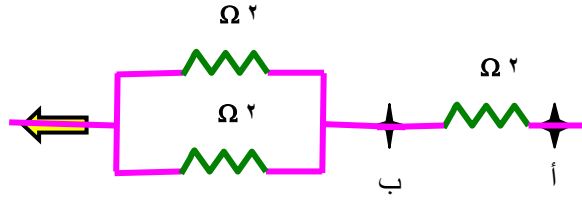
:

Ω

.(-) Ω ,

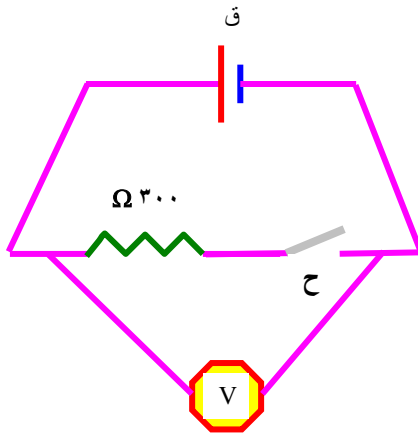


[- × () , ()]

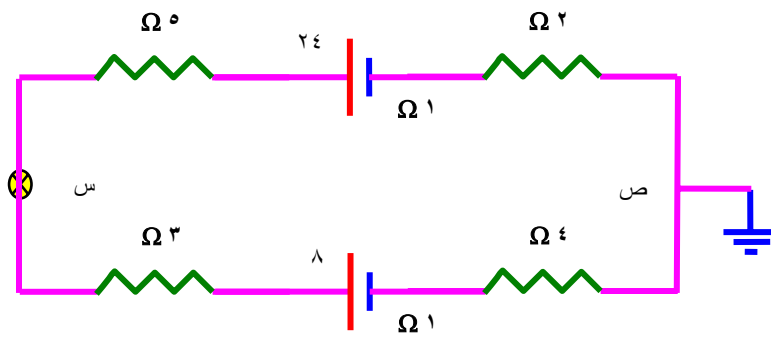


[]

()



[Ω]

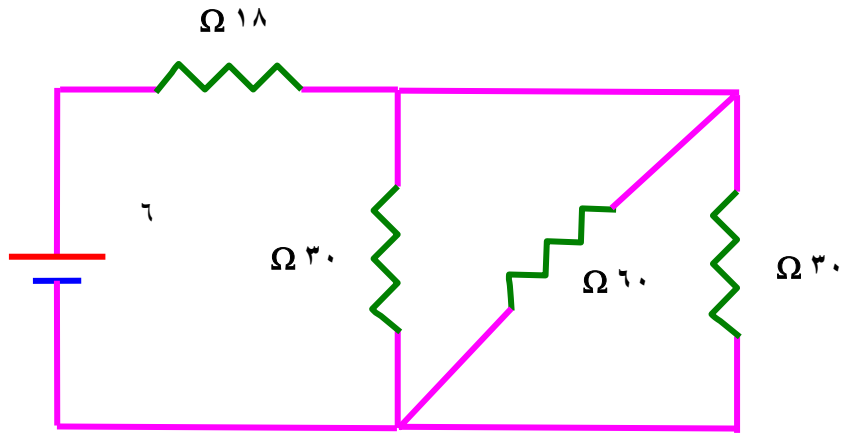


[]

()

[]

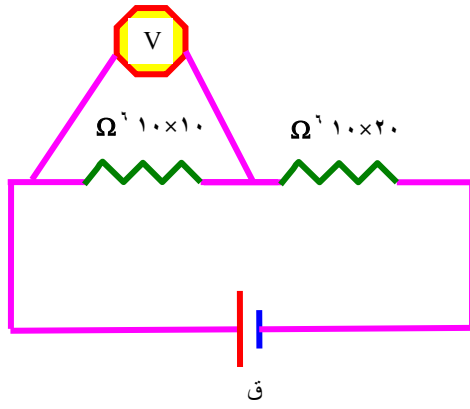
(Ω)



[, () Ω ()]

Ω ×

: Ω ×



[, () ()]

. Ω , -

,

-

-

[, () Ω , ()]

. Ω , -

[Ω ,]

Ω , Ω , . -

.

[, () , ()]

,

Ω

[Ω]

: Ω ,

,

-

-

-

[Ω , () , ()]

,

,

-

.

-

-

[Ω , () Ω , ()]

Ω

-

Ω ,

[,]

,

-

. Ω ,

Ω ,

.

,

-

-

[% , () Ω , ()]

.

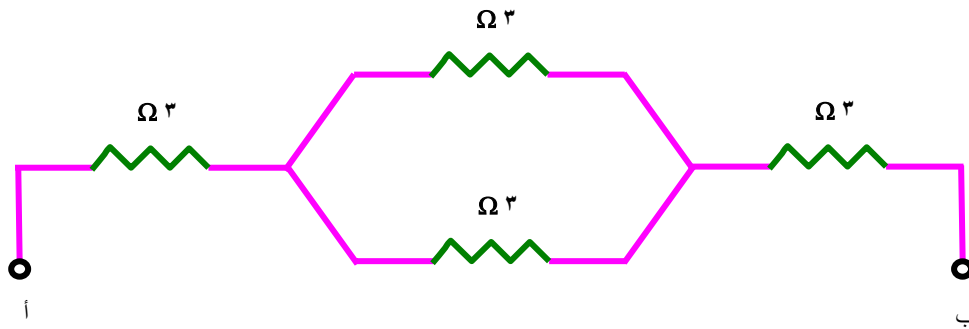
-

. Ω = Ω = Ω

[, () ()]

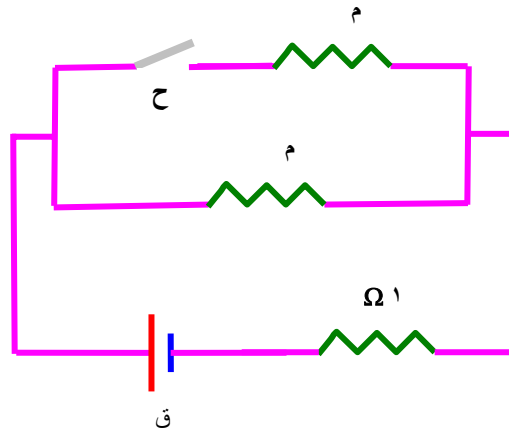
Ω

[Ω]

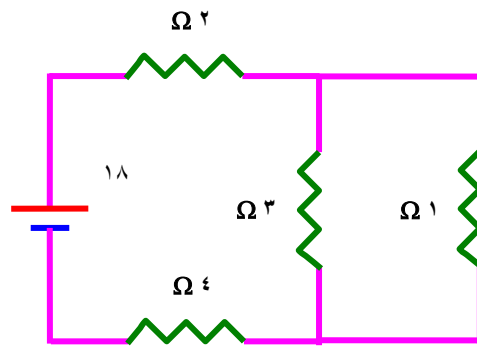


[, = , = , = = () Ω , ()]

[,]

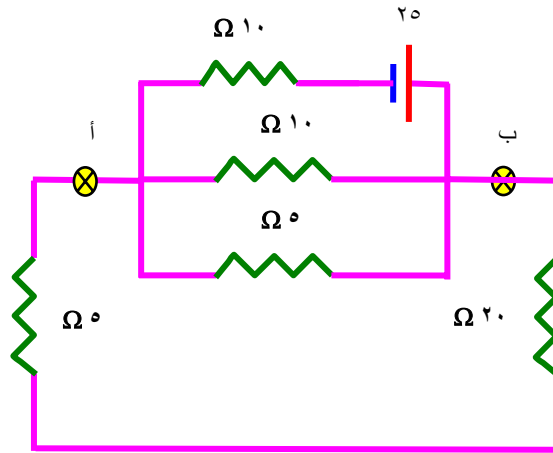


[Ω ,]



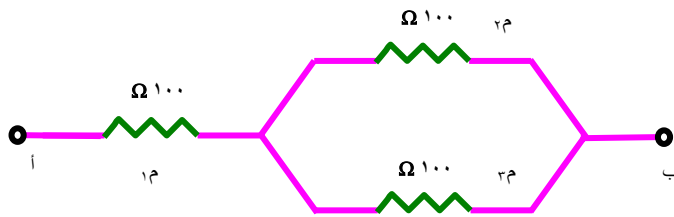
[, = , = , = =]

Ω



[, () , ()]

Ω

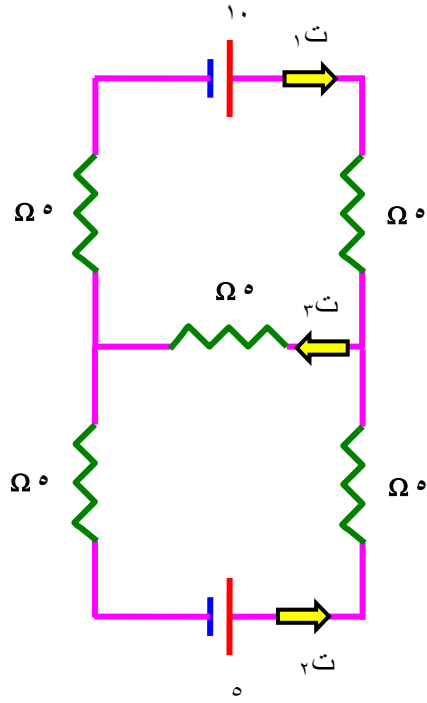


[, () , = = = () ()]

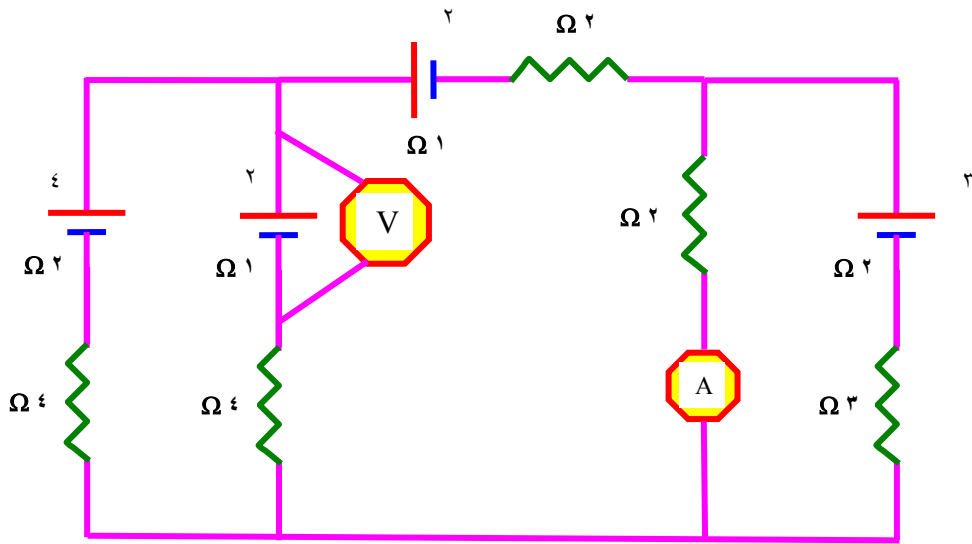
.

:

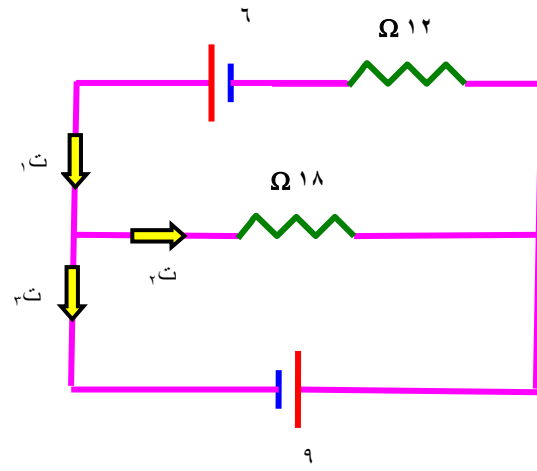
-



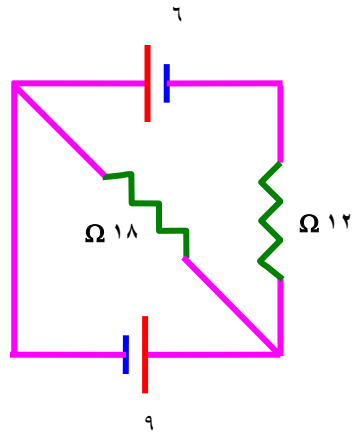
[$I_1 = I_0 - I_2$]



[$I_1 = I_2 + I_3$]

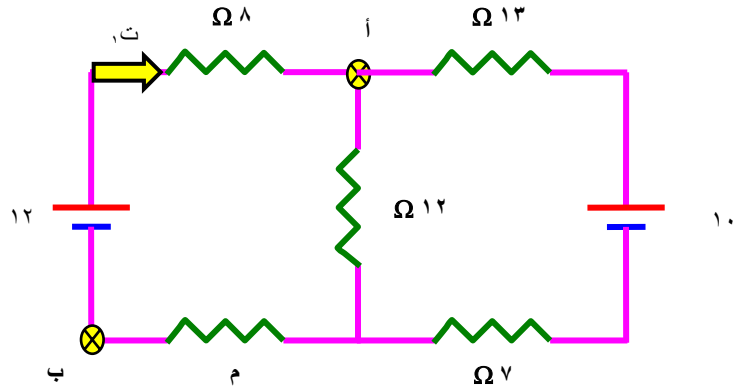


$$[\quad , \quad = \quad , \quad - = \quad , \quad = \quad]$$



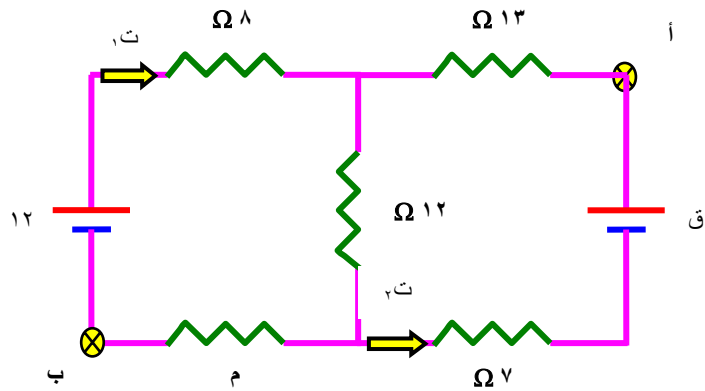
$$[\quad , \quad = \quad , \quad = \quad]$$

$$: \quad , \quad =$$



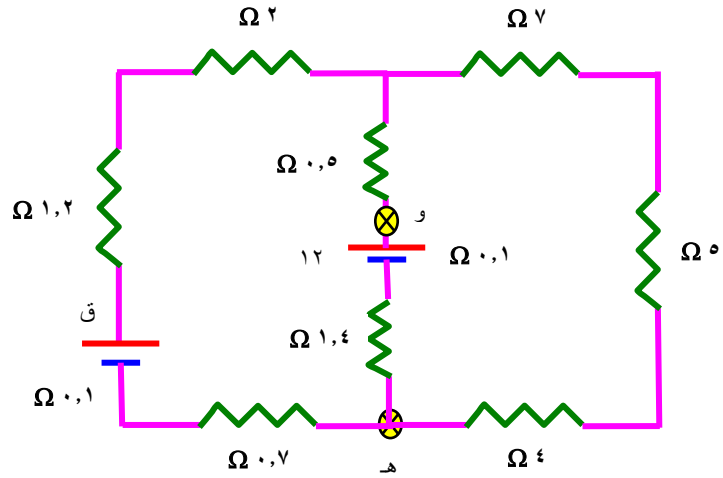
[$i =$ () Ω ()]

: $i =$ $i =$ -
 -
 -
 -



[$i =$ () Ω () ()]

: $i =$ -
 -
 -
 . Ω -



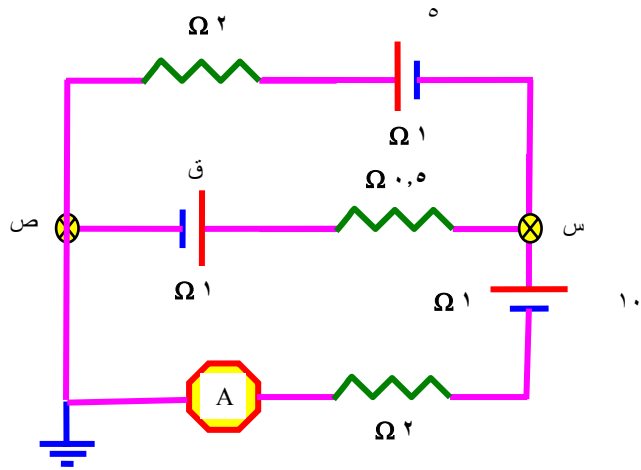
[() ()]

:

-

-

-



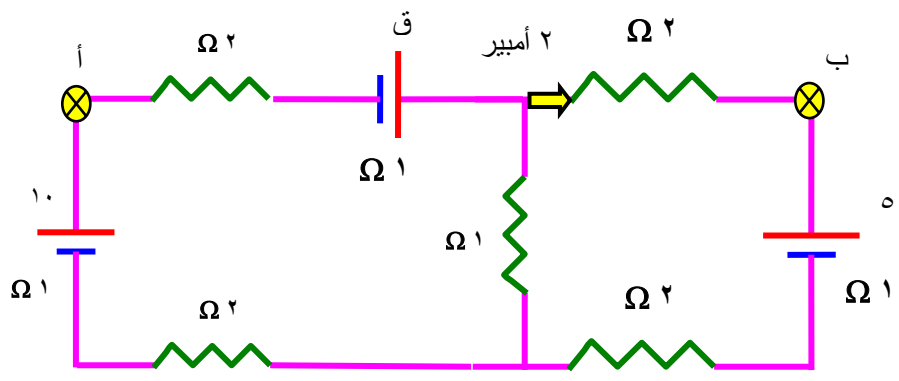
[() , ()]

:

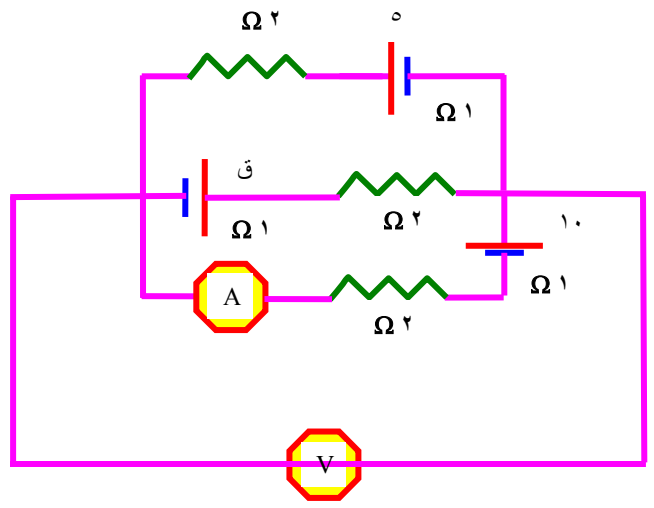
-

-

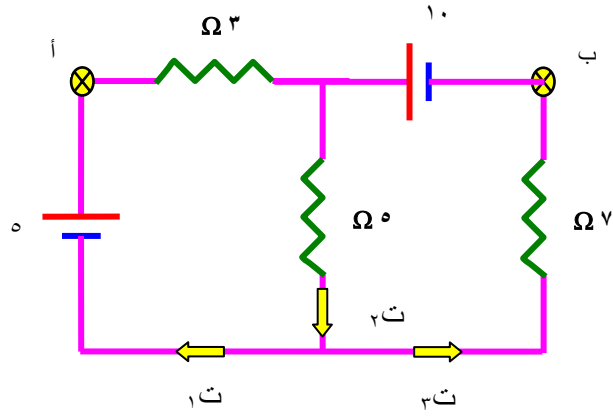
-



[- () () ()]

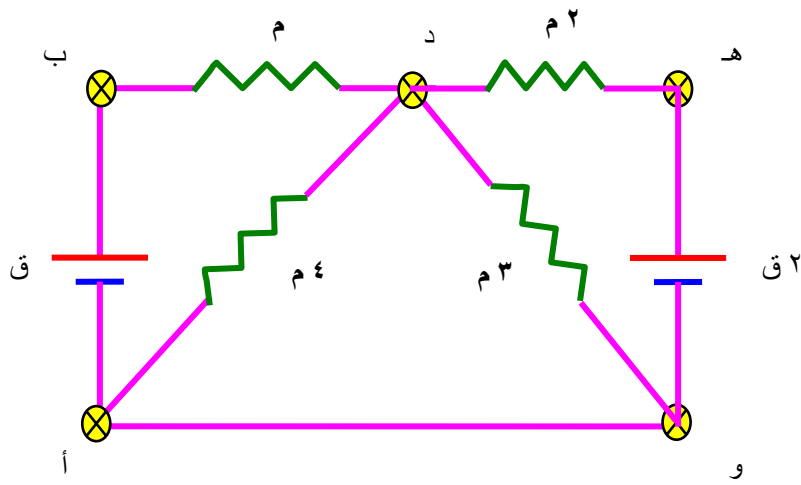


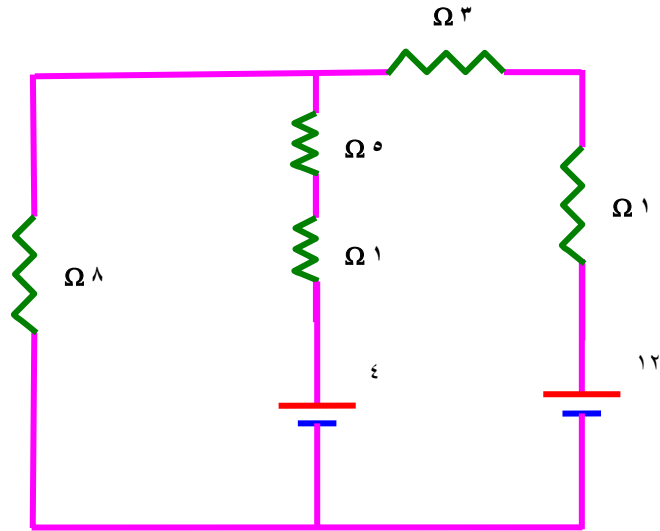
[() ()]



$$[\quad , \quad , \quad , \quad = () \quad , \quad - ()]$$

$$= \Omega =$$

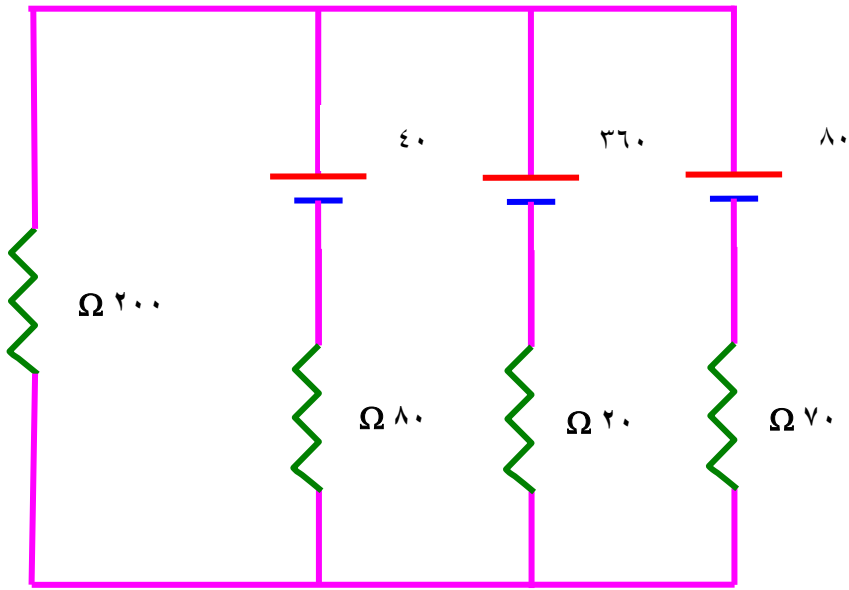




[/ / /]

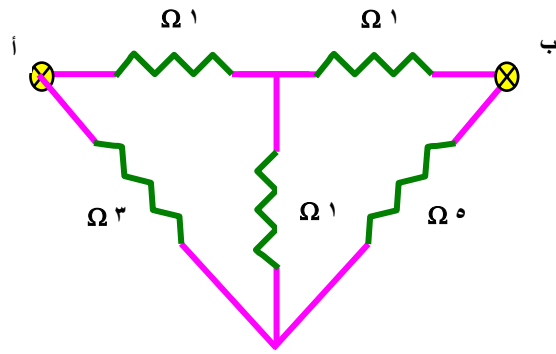
. Ω

-



. Ω (/)

-



. :