

. :

-

-

-

-

:

-

-

!

: -

-

(+)

-

.(/ -)

.

-

!

()

-

!

-

-

-

-

-

!!

-

-

.

:

,

.

[']

- x - x - -

[' ° ,]

- x -

[- x - x]

-

+

-

.

.

.

[, ()]

- x' ()

-

o

[- x /]

-

[- x - x]

,

-

[- x]

:

-

-

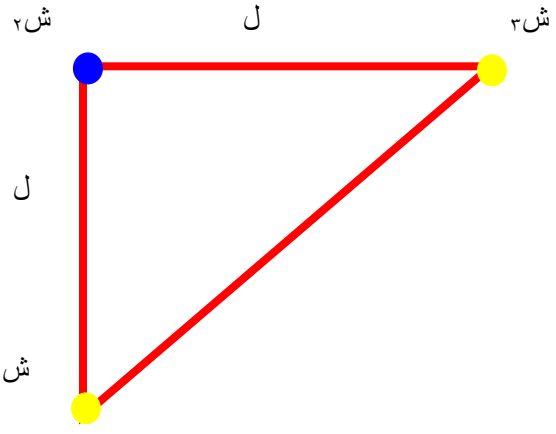
.

-

-

[, ,]

-- = = = -



[°]

= = = -

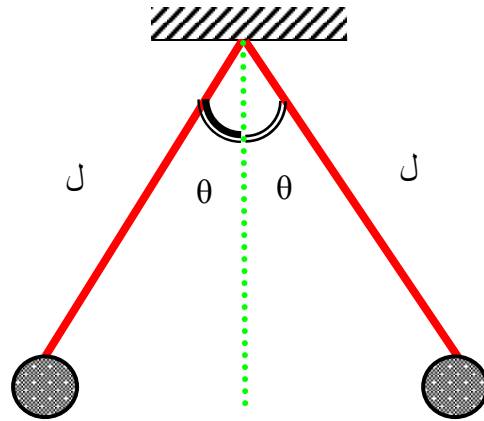
[, =]

- × , -

[- × ,]

- × -

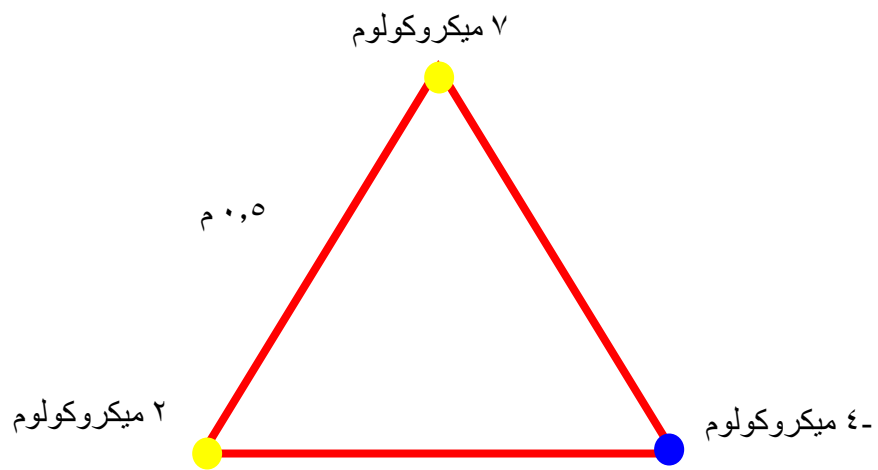
° = θ , ()



[\times ,]

[\times ,]

[\times ,]



[$^{\circ}$,]

(+=)

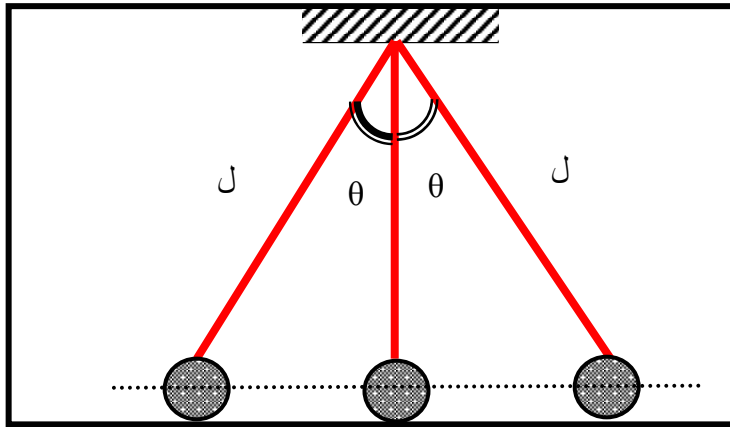
-

[° ,]

)

-

° = θ = (



[]

-

-

[× ,]

:

:

x

-

/

[,]

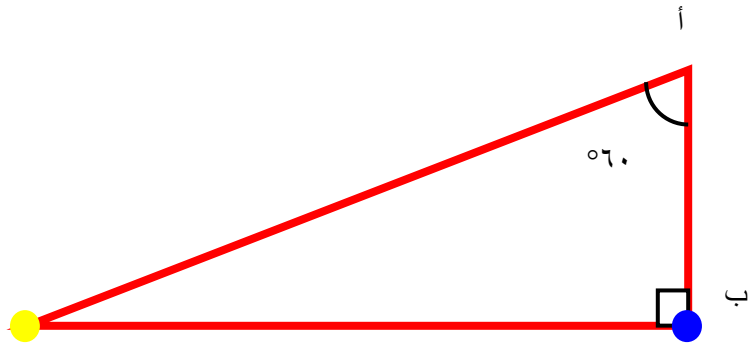
- × + - +

-

[]

-

-



[° /]

, -

, -

-

.

, +

[° / × ,]

+

-

-

[° / ,]

.

/

× ,

.

-

[,]

-

[]

. = = = -

- × , - × ,

[/ × ' ()]

= = -

[/ ' ()]

-

/ :

-

- × - - × -

-

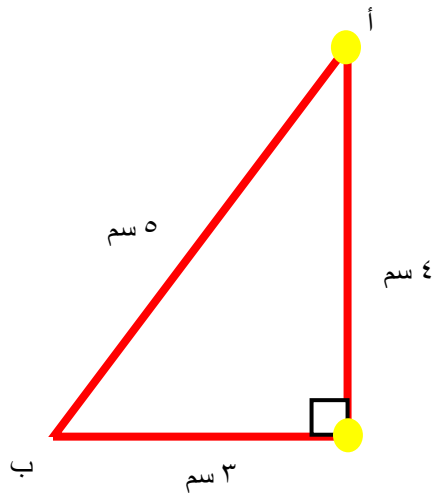
[]

: () -

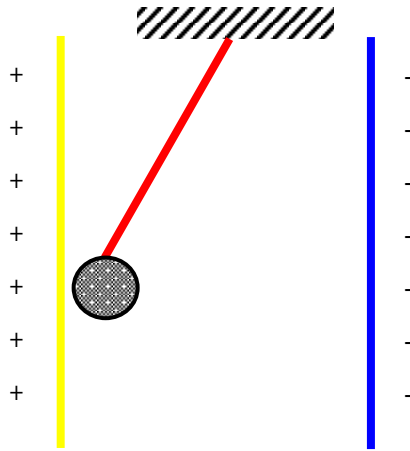
[, (/ × , (]

- ×

- ×



[/ × , ()]



\times -
/
 [\times ,]
 $- =$ = -
 .(,) , =
 [$^+$ $^{\circ}$ / \times ,]
 $- =$ + =
 [/ \times ,]
 () () -
 ($e - =$ \times , $= p$ \times , $= p$ \times , $= e$)
 [/ \times () / \times , ()]
 / -

[\times ,]

: - = =

-

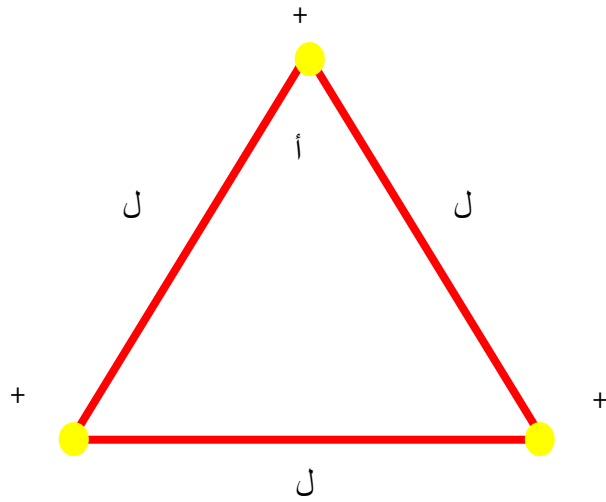
, =

[\times , ()⁺ : / \times , ()]

-

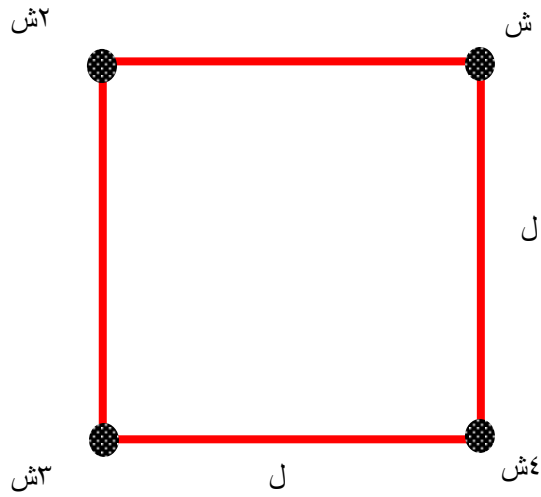
[^o, / ,]

-



[/ '()() ()]

-



$[^\circ \quad / \quad , \quad ()^\circ \quad / \quad , \quad ()]$

$- \quad - \quad -$
 $\cdot =$

$[\quad , \quad = \quad]$

$(\quad) \quad -$

$\cdot \quad \cdot \quad \dots\dots$

$(\frac{2\pi}{6} = \dots + \frac{1}{2^4} + \frac{1}{2^3} + \frac{1}{2^2} + \dots :)$

$[- \quad / \quad \pi]$

$: \quad -$
 $: \quad -$

/

-

-

.

[/ ×]

-

/

:

.

.

.

.

× , =

× , =

[/ ° () × ()]

/

-

.(× , =p × =e)

[/ × , =p . / × , =e]

/

-

. / × ,

.

.

.

$$[\quad \cdot \quad \times , () \quad , () \quad , () / \quad \times , ()]$$

$$\cdot / \quad / \quad \times \quad -$$

$$[\quad , \quad]$$

$$\cdot \quad \cdot \quad \times , \quad -$$

$$[\quad / \quad]$$

$$\times , \quad / \quad \times , \quad -$$

$$\cdot /$$

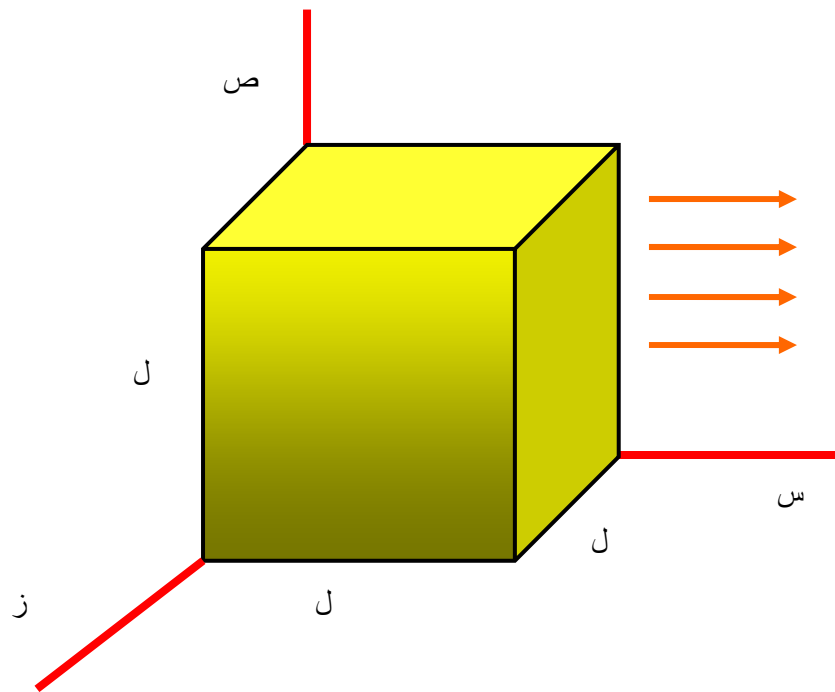
$$[\quad , () \quad , () / \quad + \quad \times , \quad - ()]$$

$$\cdot / \quad - \quad + \quad -$$

:

$$[\quad () / \quad \times , () / \quad \times , ()]$$

[\times , () ()]



[$= \Phi$]

[]

+ / × , -

: , ,

.
.

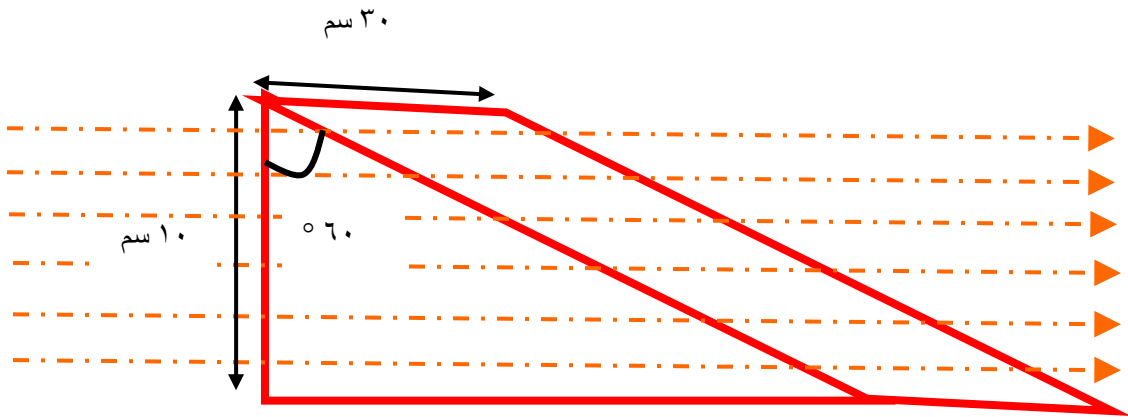
[() / . , ()]

× , -

: . /

.
.

.
.

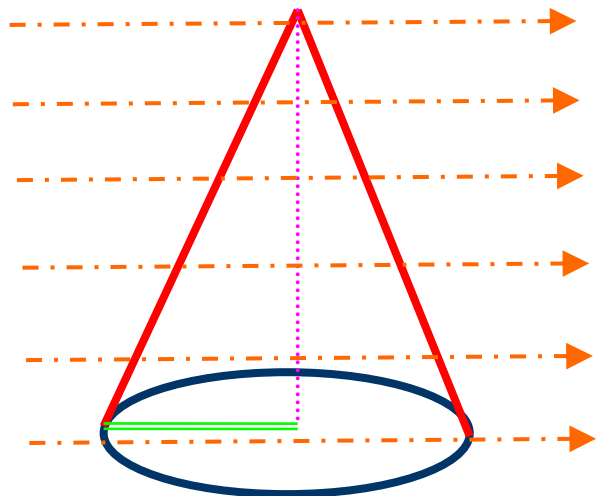


[(/ . (/ . (]

-

. / × ,

[/ × ,]



[]

(/) σ

()

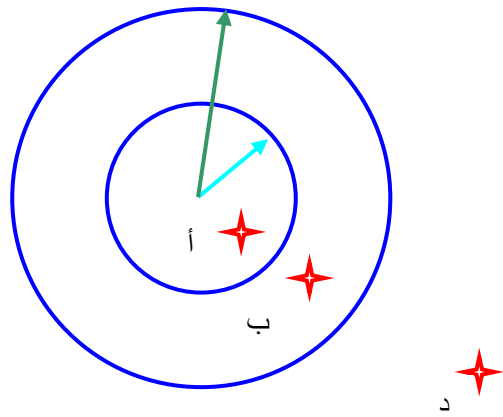
()

. ()

: (/)

ϵ_0 (ϵ_0 / σ) =

\times
 \times
 $:$



[/ , /]

(- × ,)

: . /

(/ × , () / ()

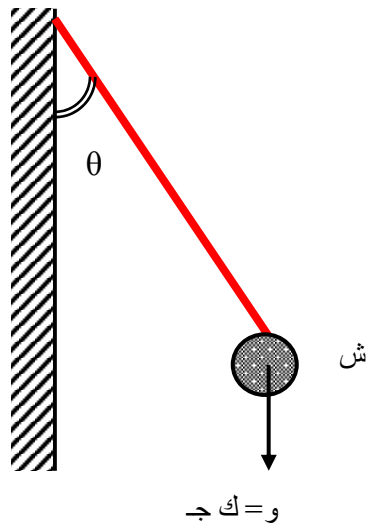
. / (λ)

()

θ

: σ

ε₀ = σ / θ



[/ . × , () / . × , ()]

[/ . × ,]

- :

[/ . × ,]

[/ . × ,]

[; / . × ,]

[; / . ,]

[/ . × , () / . × , ()]

. / . × , -

[,]

/ -

[/ ,]

.

:

.

.

[/ × , () ()]

(=) -

: ()

.

.

.

[/ × , () / × , () ()]

/ - -

:

.

$\times , () / \times , () / \times , ()$
 $[/]$

$-$
 $:$

$\times , () / \times , ()$
 $[/ \times , () / \times , ()]$

$-$
 $/$

$[/ \times ,]$
 $/$

$[/ \times ,]$
 $-$

$:$

[/ () / () ()]

: - × (×) -

[/ × () / × () / ()]

,

[,]

+

+

[/ () / , ()]

-

:

.....

$$[\quad / \quad \times , \quad () \quad () \quad / \quad \times \quad () \quad ()]$$

.....

$$[\quad , \quad]$$

$$(\quad - \quad \times , \quad - = e)$$

$$[\quad - \quad \times , \quad]$$

$$(e) \quad - \quad -$$

$$- \times , =_e) e$$

$$(\quad - \quad \times , \quad - =_e$$

$$[/ \quad \times , \quad - \quad \times , \quad]$$

/ : -

. - :

-

[× , = - × ,]

. . -

. .

[/ × , . / .]

% -

[]

() -

. ,

(

(

[/ () , ()]

? / × , -

[,]

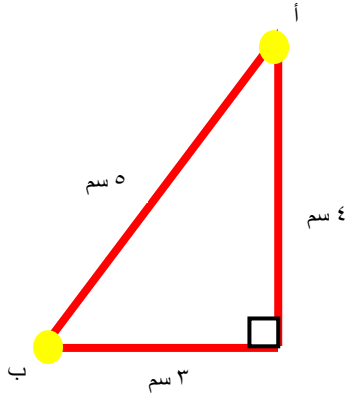
. - × , -
 [- × ,]
 . × -

:
 .
 - .
 .

[/ × , () () - × , ()]
 . -
 %

[/ × ,]
 . :
 - - × + -

:
 . ()
 . ()



[]

× ,

-

[]

.

-

.

.

.

[, () , () ()]

=

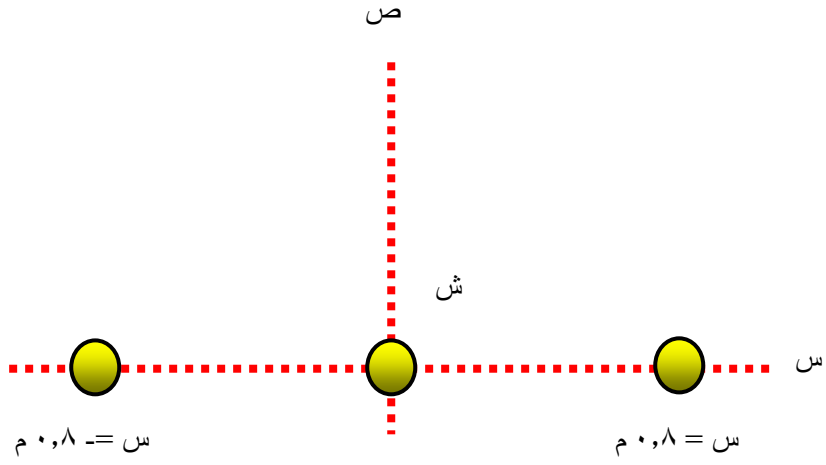
-

C/N =

[, = =]

$$- \times , = (\quad)$$

-



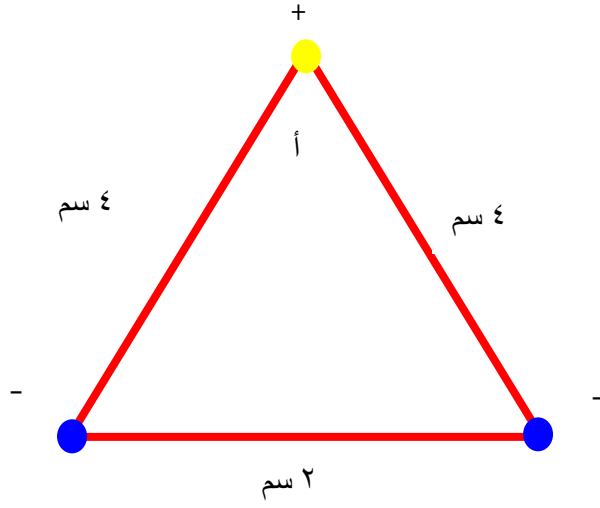
.
.
.

[() () ()]

$$: \quad = \quad - \quad + \quad -$$

.
.

[- = () , - = ()]



[M -]

-- +=

[() nJ - ()]

Bohr

... = nm , =

:

=

=

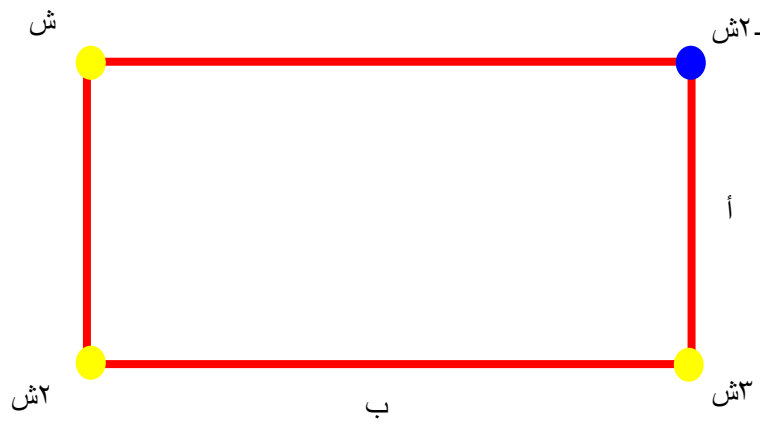
$(\infty =)$

[() , - () , - ()]

:

-

= , = , =



[, -]

:

:

- × ,

[- ×]

$$- \times ,$$

:

+++++



$$. = C/N \times , =$$

$$[() - \times () - \times , ()]$$

$$: /$$

$$[- \times , + () - \times , ()]$$

$$./$$

: \times ,
 .
 .
 .
 [\times , () C/N ()]

C/N° \times ,
 .
 []

\times
 [,]

[/ × , () / × , ()]

,

:

.

.

[/ × , () / × ()]

! =

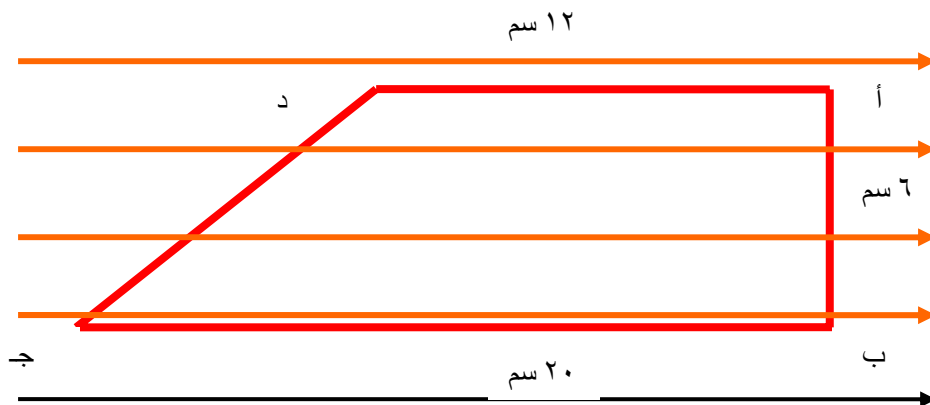
: -

()

-

C/N ()

← ← ←

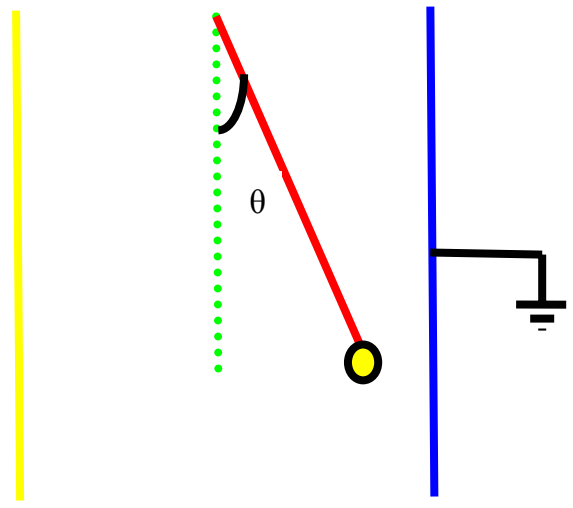


[, -]

μC

x

[]



[$^\circ$, $= \theta ()$] x , () C/N x , ()

$$[\dots \times , () / \dots \times ()]$$

$$/ \dots -$$

$$\dots \times \dots -$$

$$\dots \times$$

$$[\dots ,]$$

$$: (\varepsilon_1 = \varepsilon)$$

$$\dots \times$$

$$[\dots \times , \dots = \varepsilon_0] .$$

$$[\dots \times \dots , () / \dots \times , ()]$$

=

--

-

$$, - =$$

+

[- × ,]

-

-

[MJ ,]

,

-

.

[,]

× , ,

-

N/C

[]

/ × ,

-

/ × , =

.

[, +]

-

./

,

$$[\quad \cdot \times + () \quad \cdot \times - ()]$$

$$(\quad)$$

$$[/ \cdot \cdot \times , () / \cdot \times , () \quad ()]$$

. /

:

$$/ \times , () / \times , () - \times , () \quad (0)$$

$$[/ () - \times , ()$$

$$\cdot \quad :$$

$$-$$

$$- = \quad + =$$

[]

-

$$, =$$

$$: = \quad , - =$$

.

.

. ← .

$$, - () - = \quad = () \quad , = (0)$$

[

-

-

- x -

:

$$= \sigma = / \quad \cdot \times , = \sigma () \quad \cdot \times / = \quad \cdot \times / = ()$$

$$[\quad = \quad = () /$$

$$(\quad =) \quad -$$

$$[\quad = \quad \cdot \times / =]$$

: -

$$[/ \quad \times () \quad \times () \quad \times , ()$$

:()

$$= () / , = / = = ()$$

$$[= =]$$

$$= = -$$

$$: - = =$$

.

.

$$[, () / , = ()]$$

.

:

$$(= =) -$$

:

.

.

$$[() / ()]$$

$$(= , =) -$$

,

.

$$[= / =]$$

$$: (= =) -$$

.

.

[() () ()]

= = = =) -

(

[]

(=) -

: / ,

[- × , + () , ()]

. / ° × -

:

[× , () ()]

$$[\quad , = \quad =]$$

$$[\quad - = \quad = \quad / \quad , = \quad =]$$

$$= \sigma \quad / \quad = \sigma(\quad) \quad - \quad \times / = \quad - \quad \times / = \quad ()$$

$$[/$$

$$[\quad \times , \quad]$$

$$[/ \quad \cdot \quad \times]$$

-

$$\cdot \quad () \quad () \quad ()$$

$$\times , = / \quad \times , = () \quad , = = ()]$$

$$[\quad \times , = / \quad \times , = ()$$

$$(, = , =)$$

-

$$[\quad = \quad =]$$

.

-

$$= \quad = \quad \mu C$$

$$[\quad = \quad \times , =]$$

$$\cdot \quad :$$

$$\cdot \quad : \quad -$$

$$\cdot \quad : \quad -$$

$$\cdot \quad : \quad -$$

$$\cdot \quad : \quad -$$

[]

[]

[× ,]

[,]

()

()

()

[, () , () ()]

: . - + -

()

()

[() ()]

-

[]

× , -

[,]

-

[,]

-

. / × ,

()

()

[, () / , ()]

. :

$$\begin{aligned} & \times (=) \quad () - \\ (, =) \quad () \end{aligned}$$

$$[, () ()]$$

, -

$$[\times ,]$$

$$() : , -$$

$$. ()$$

$$. / - \times , = \varepsilon$$

$$[, () , ()]$$

, -

:

$$. ()$$

$$. ()$$

$$. ()$$

$$[/ \times () , () , ()]$$

[,]

(= , =)

:

+

()

()

[= = () / ()]

- ×

(=)

- × -

(=)

[- × ,]

./ :

:

()

()

$$[\quad = / \quad = () \quad / ()]$$

$$.() \quad ()$$

$$() \quad [\varepsilon] \quad [\varepsilon =]$$

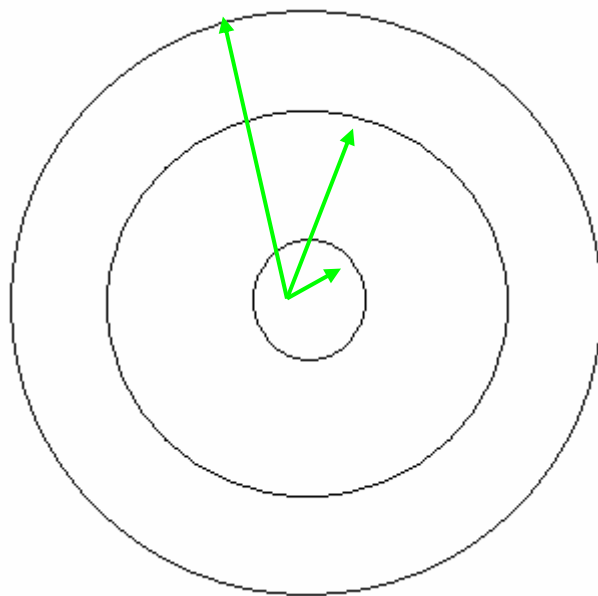
-

-

: -

: -

-



[,]

=

.

ε / ε

[= × ,]

[,]

[- ×]

[,]

°

[× ,]

. , ' , ' -
 :
 . ()
 . ()
 . ()
 . ()
 , () , () / , () / × , ()]

[
 × (megabit) -
 . - × .(fF) -
 [- × ,]

-
 -
 [× ,]
 (=) (=) -

:
 . ()
 ()
 [() , ()]

=) (=) -

[,] (

[,]

. :

:

. ()

. ()

[() , ()]

:

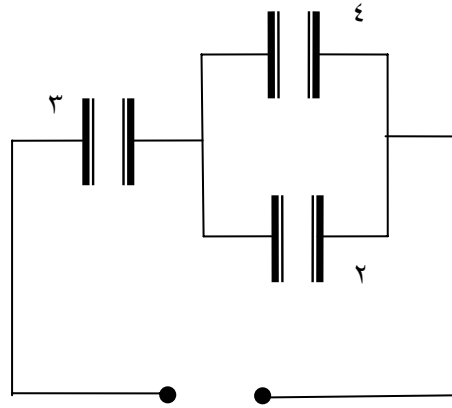
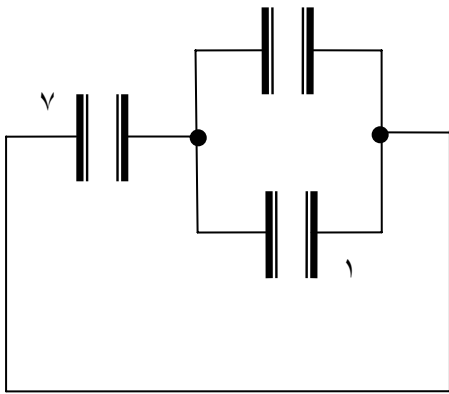
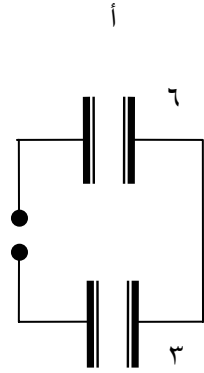
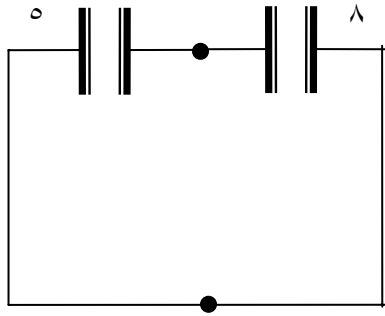
. ()

. ()

[() = = ()]

[]

:



[() ()]

() ()]

-

()

()

[= = = = = ()]

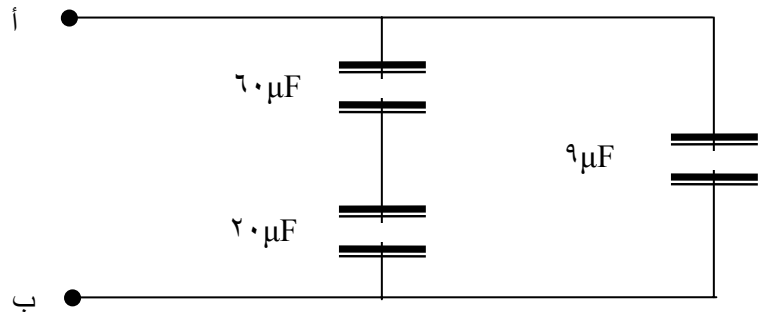
[= = = = = ()]

: =

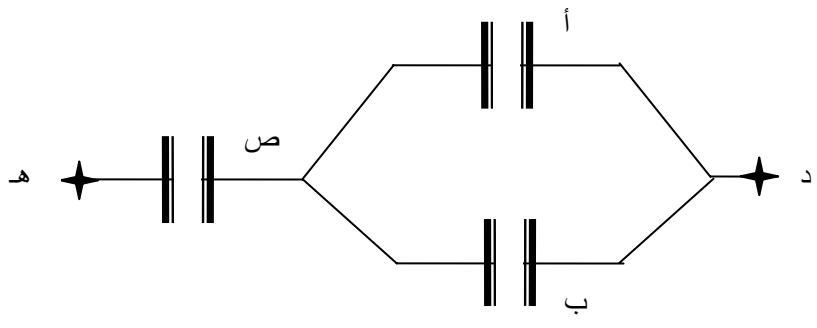
-

()

()



-
-
-



[]

-

:

. ()

. ()

[, = , = () , = = ()]

= = () -

()

[, () ()]

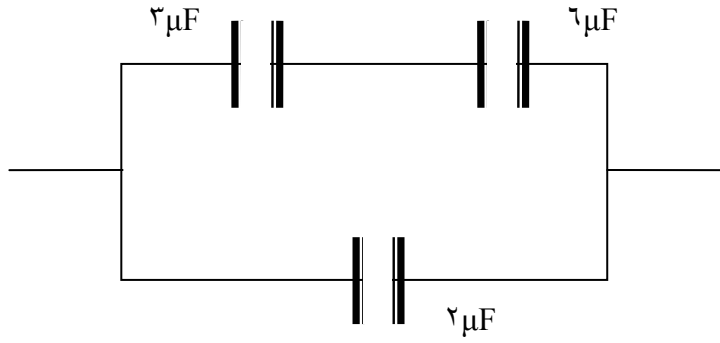
-

[]

. ()-

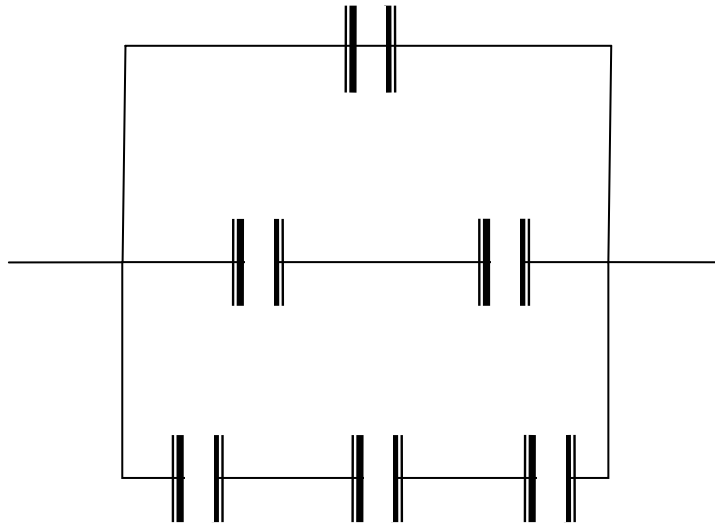
()

.



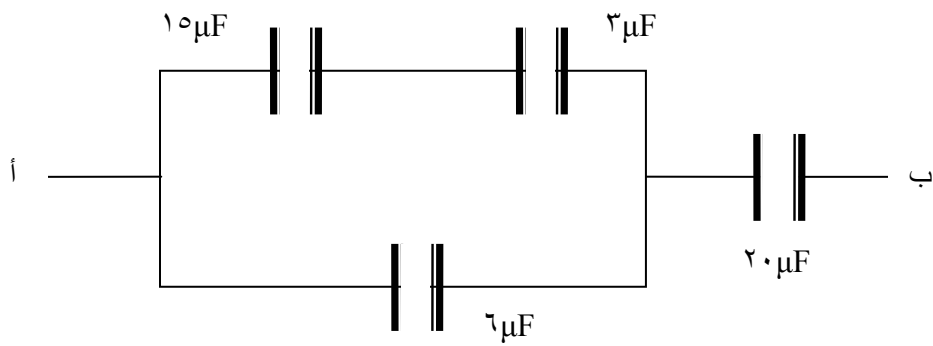
= = = = () ()

[= =



[/]

:



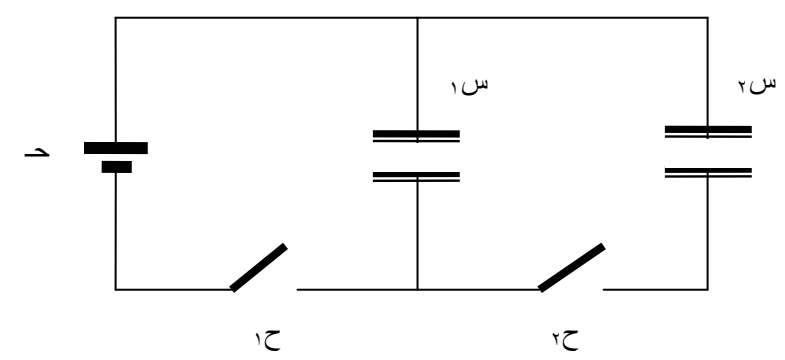
()

()

, = , = = () , ()]

[, =

. = = = : -



[= = =]

: . -

()

()

()

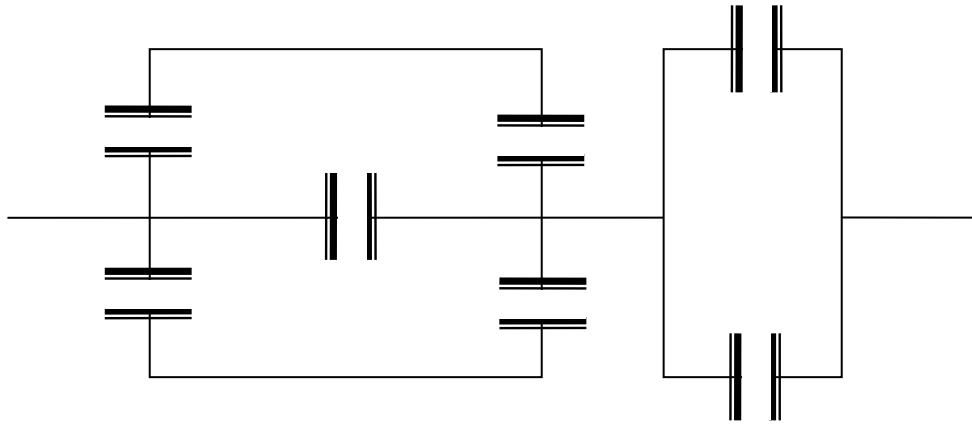
-

[]

-

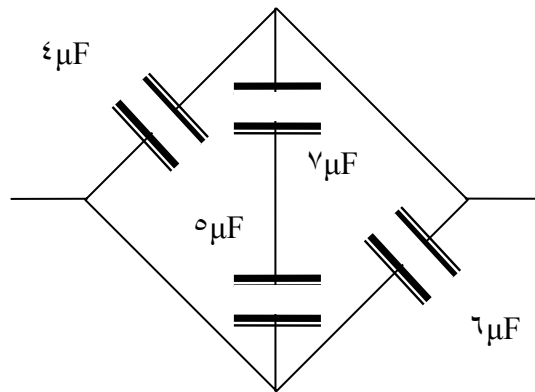
[]

. = = = -



[,]

-



[,]

:

-

, () , () () ()

.

:

.

-

.

[,]

.

-

[,]

-

: .

.

.

.

.

.

.

.

.

[() () () - × ()]

()-

.

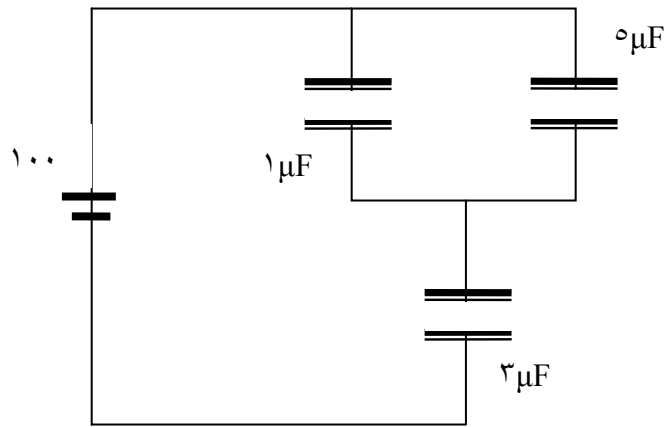
.

()

() , = , = , = = ()]

[, = , = - × , = - × , =

: -



()

()

= , = , = () = ()]

= , = = , = ,

[- × , = - × , = - × ,

-

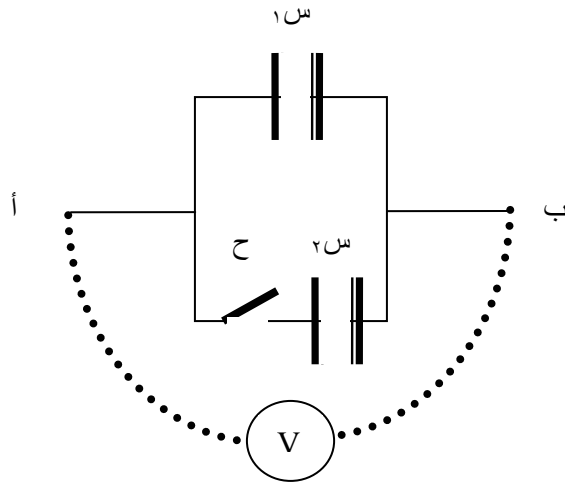
[,]

-

:

() ، = () = = = () ()]

[= = = = : -
 ()

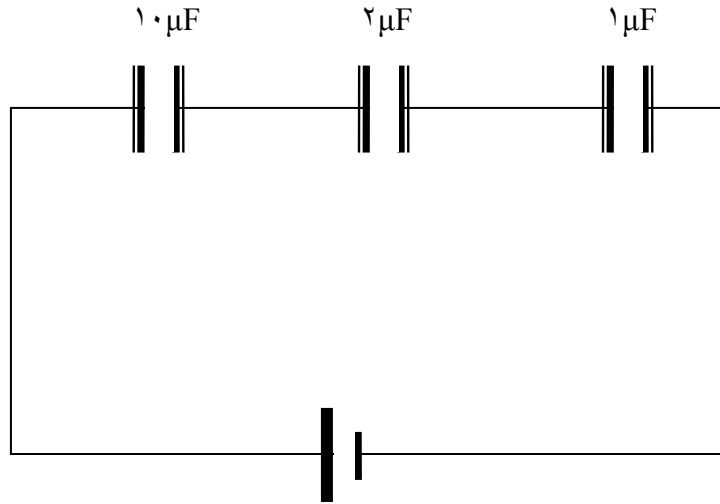


[، = Δ =] -

: ()

()

()

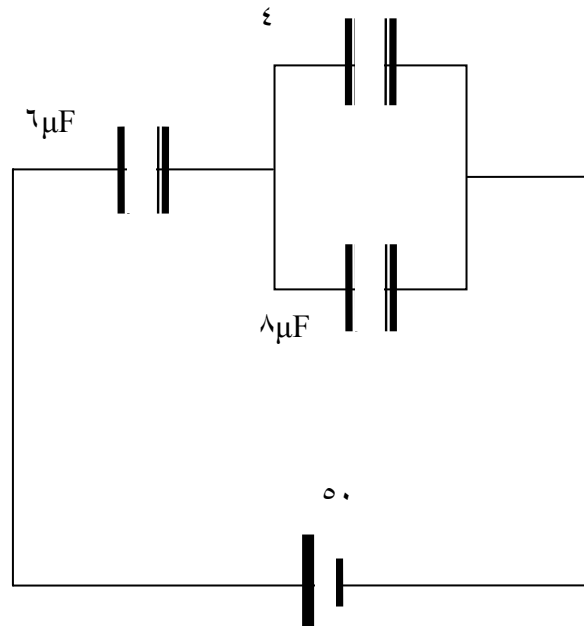


[, () ()]

: -

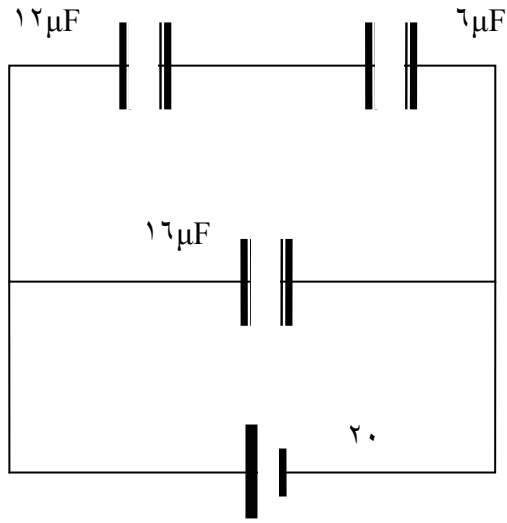
()

()



= () , = = = ()]

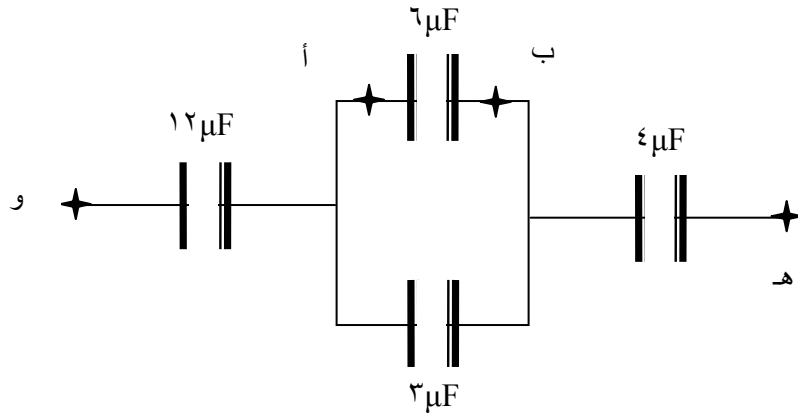
[,



, = () = = = ()]

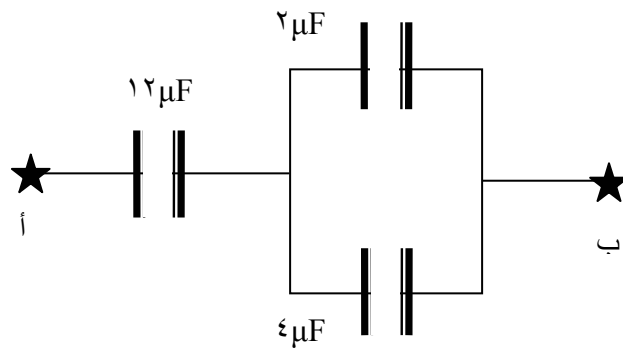
[

: = -
.
.
.



[() × () ()]

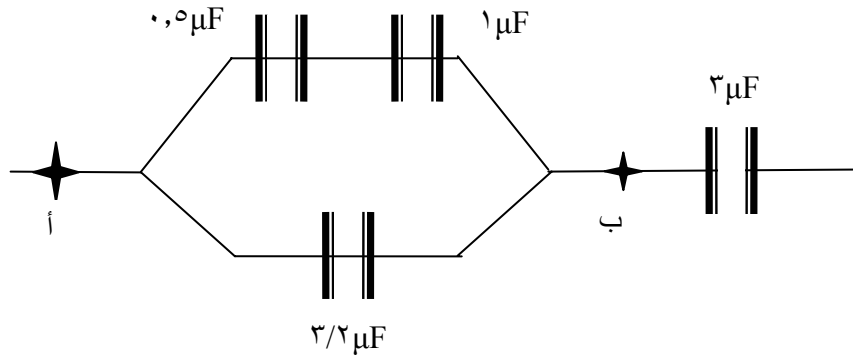
: =



= , = () ()

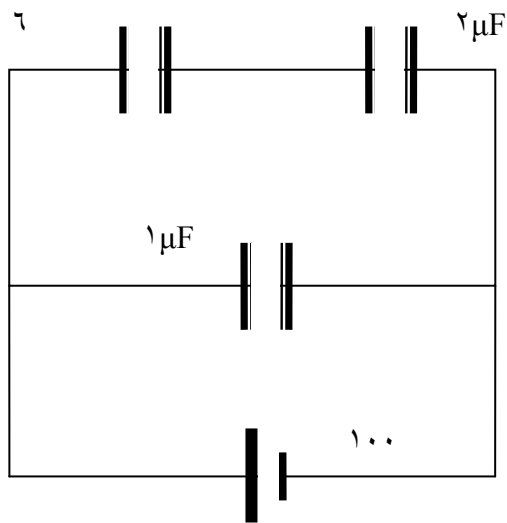
[()

= ()



[,]

:

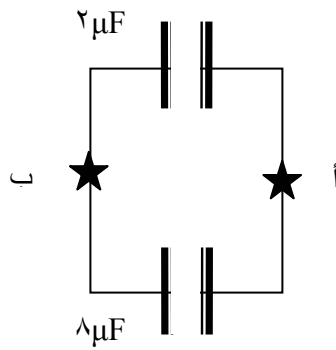


[, () = = = ()]

[() , () () , ()]

= () , = , = , = = ()]

[, = , = , = , =]



[\times ,]

[] -

() () : -

[() ()] -
: .

. ()

. ()

[, () ()]

. -

[]

.. :